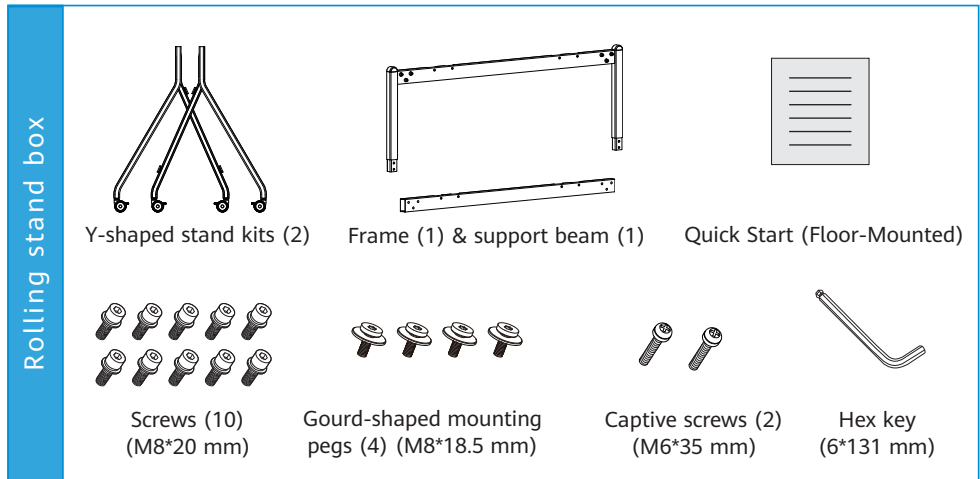


Quick Start (Floor-Mounted)

1 Included Items

🔍 This list is for reference only. The delivered components may differ in appearance. The components in this package can be used only with this series products. If a component is damaged, missing, or wet upon being removed from the box, contact technical support.

Install the stand kits according to the "Installing the Device" chapter. After the installation, complete cable connections and configurations by referring to chapters 3, 4, and 5 in the [Quick Start \(Wall-Mounted\)](#).

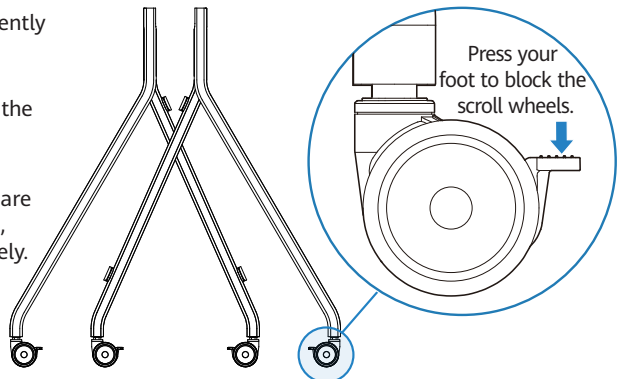


2 Installing the Device

- 🔍 1. Take and place all components gently to prevent them from falling.
2. Different models differ slightly in appearance. The appearances of the device and accessories in this document are for reference only.


⚠️ At least two, three, or four persons are required to lift and install a 65-inch, 75-inch, or 86-inch device respectively.

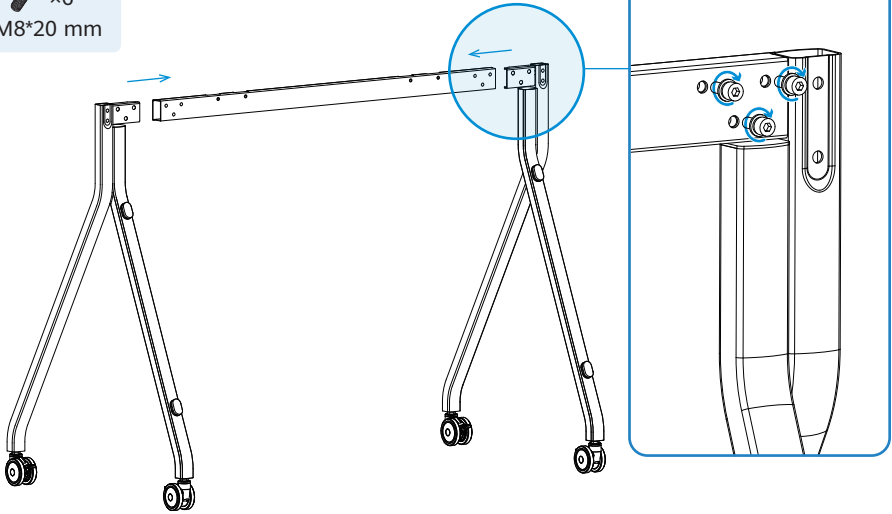
- 1 Block the four scroll wheels.




2 Install Y-shaped stand kits.

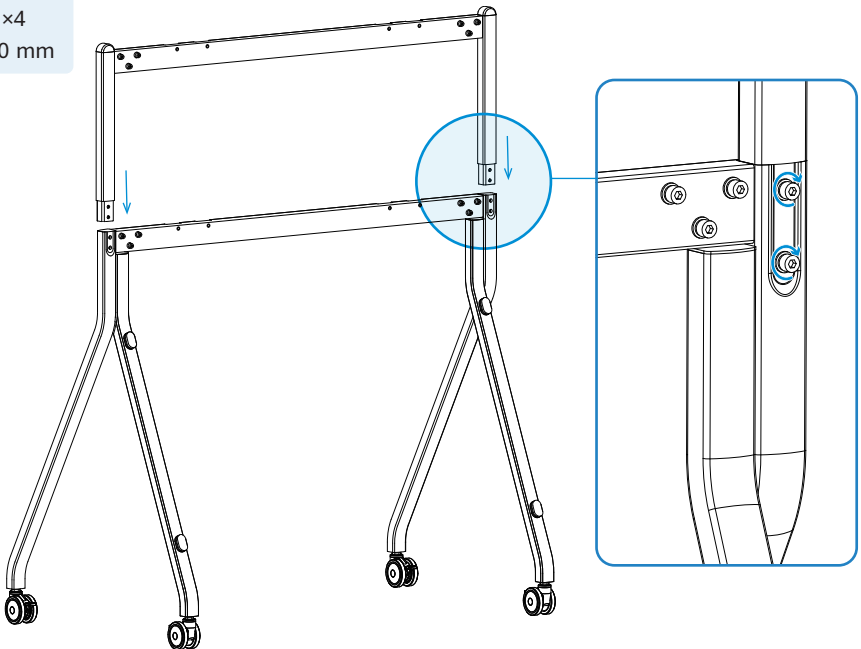
1. Insert the left and right ends of the support beam into Y-shaped stand kits, align the holes, and tighten the screws.

 x6
M8*20 mm

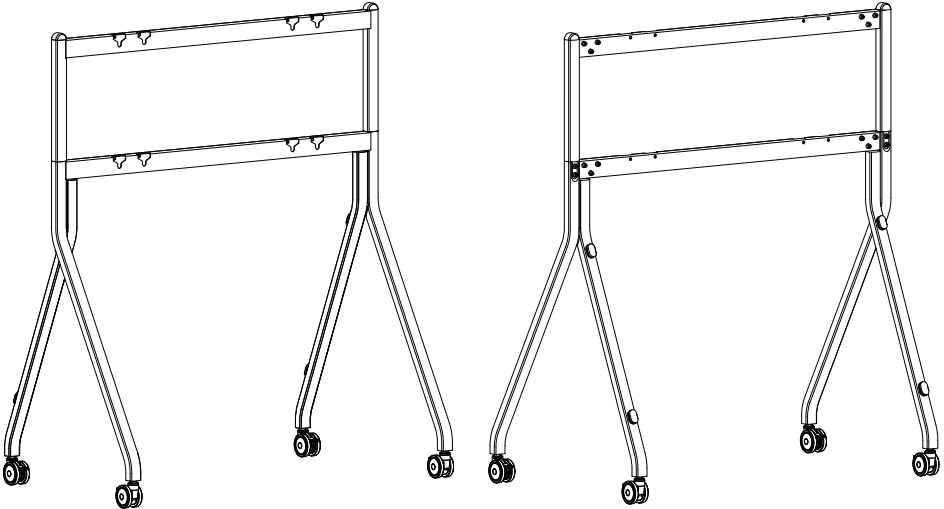


2. Insert the frame into Y-shaped stand kits from the top with even force, align the holes, and tighten the screws.

 x4
M8*20 mm



3. Tighten all screws on the stand kits one by one to ensure secure installation.



Front view

Rear view

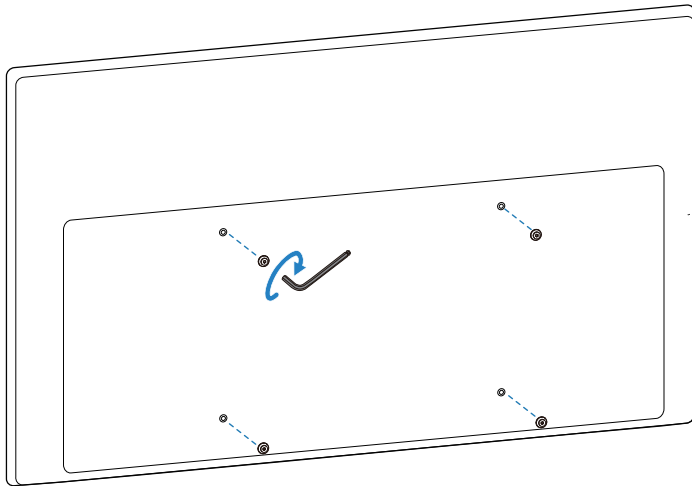
3 Install gourd-shaped mounting pegs on the rear of the display.

During installation, place the display vertically on the foam or cushion.




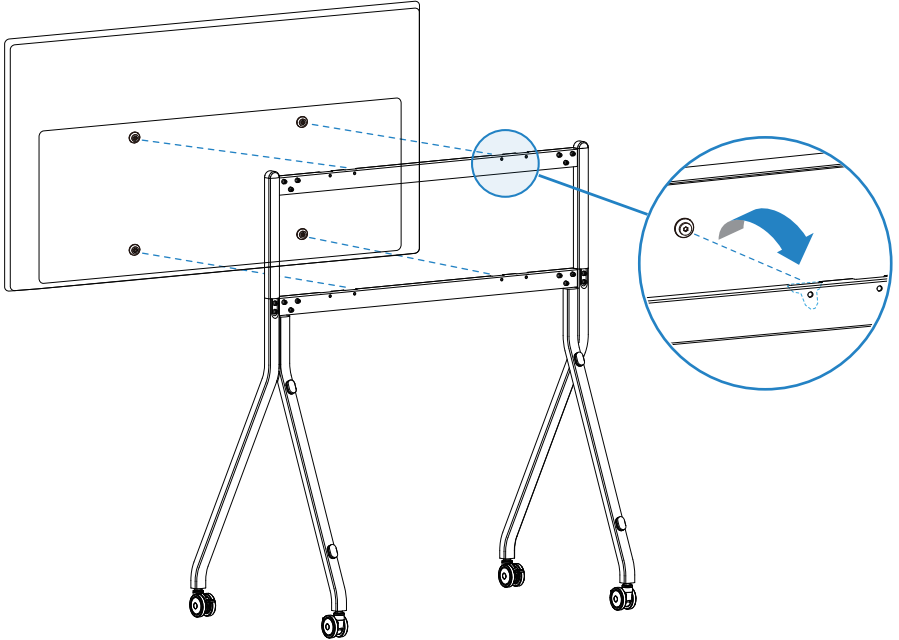
x4

M8*18.5 mm





4 Mount the display and insert gourd-shaped mounting pegs into the corresponding positions on the stand kits.

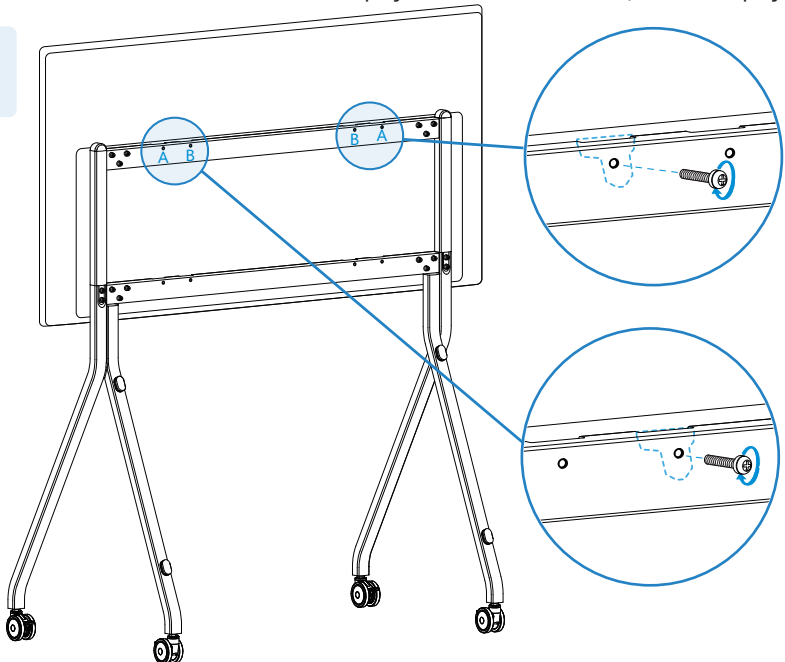
 Do not press the screen during mounting to prevent the screen from being damaged.




5 On the beam above the stand kits, tighten captive screws into the positions of gourd-shaped mounting pegs.

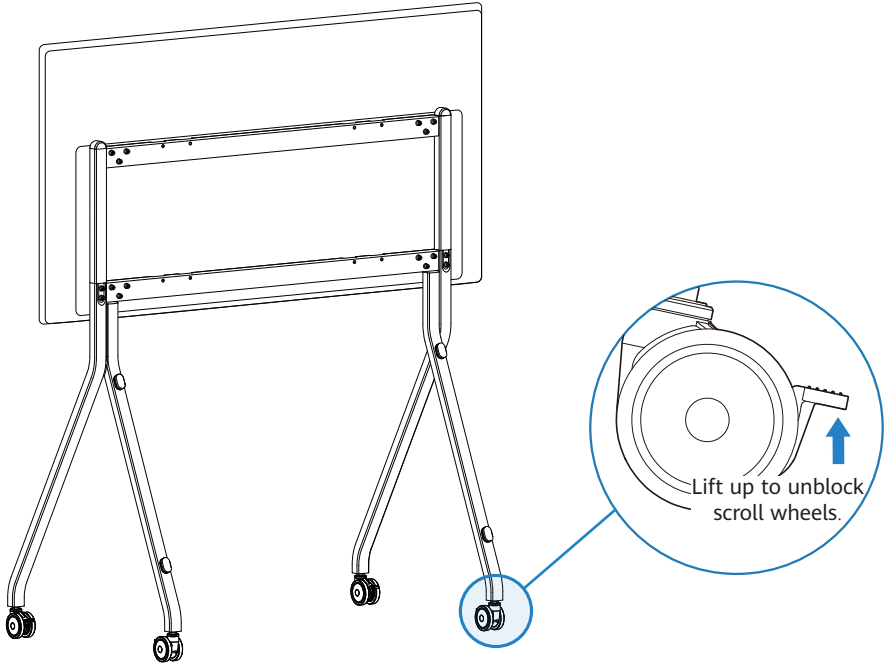
 Tighten the screws into hole B for a 65-inch display or into hole A for a 75/86-inch display.

 $\times 2$
M6*35 mm




6 Unlock the scroll wheels, and push the device to the desired position.

 After the stand kits are installed, remove the display from the stand kits before long-distance transportation.



Disposal and Recycling Information



 This symbol on the device and any included batteries indicates that they should not be disposed of as normal household garbage. Do not dispose of your device or batteries as unsorted municipal waste. They should be handed over to a certified collection point for recycling or proper disposal when they can no longer be used.

For more detailed information about the recycling of the device or batteries, contact your local city office, the household waste disposal service, or the retail store where you purchased this device.

The disposal of this device is subject to the Waste from Electrical and Electronic Equipment (WEEE) Directive of the European Union. The purpose for separating WEEE and batteries from other waste is to minimize any environmental impact and health hazards due to the presence of hazardous substances.

Reduction of Hazardous Substances

This device is compliant with the EU Registration, Evaluation, Authorization and Restriction of Chemicals (REACH) Regulation (Regulation No 1907/2006/EC of the European Parliament and of the Council) and the EU Restriction of Hazardous Substances (RoHS) Directive (Directive 2011/65/EU & (EU) 2015/863 of the European Parliament and of the Council).