

1-Port Gigabit XPON Terminal

MODEL:XZ000-G7



Overview

TP-Link's 1-Port Gigabit XPON Terminal XZ000-G7 provides up to 2.488 Gbps downstream and 1.244 Gbps upstream bandwidth simultaneously. It meets the higher bandwidth demand of various high-bandwidth services. It also reduces both capital and operating expenditure, protecting ISPs' existing infrastructure investments.



High-Speed GPON Service

Full Gigabit Port-Fiber access provides incredibly fast transfer speeds.



Full Gigabit Wired

Supports maximum data rates of up to 2.488Gbps downstream, 1.244Gbps upstream.



Make Your Fiber-to- the-Home

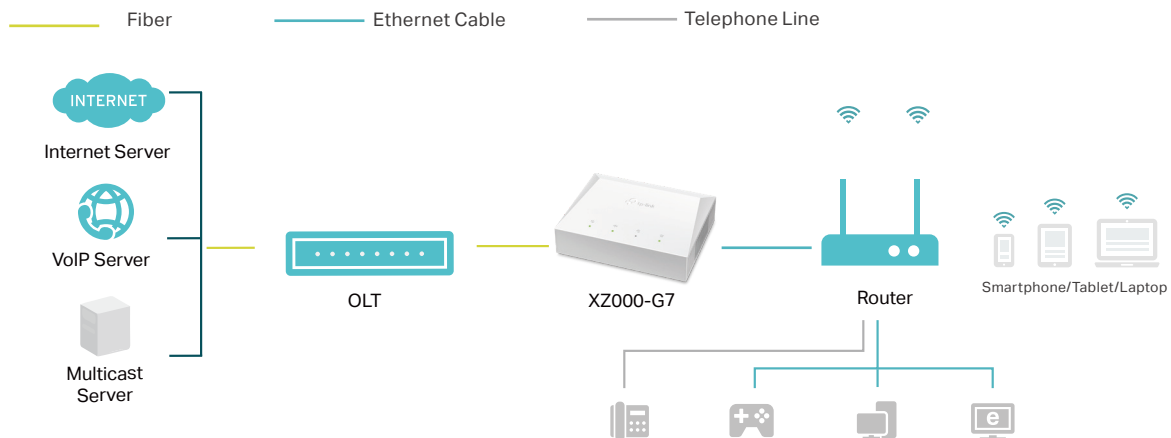
A Gigabit Passive Optical Network (GPON) terminal, which is ideal for fiber-to-the-home solutions.



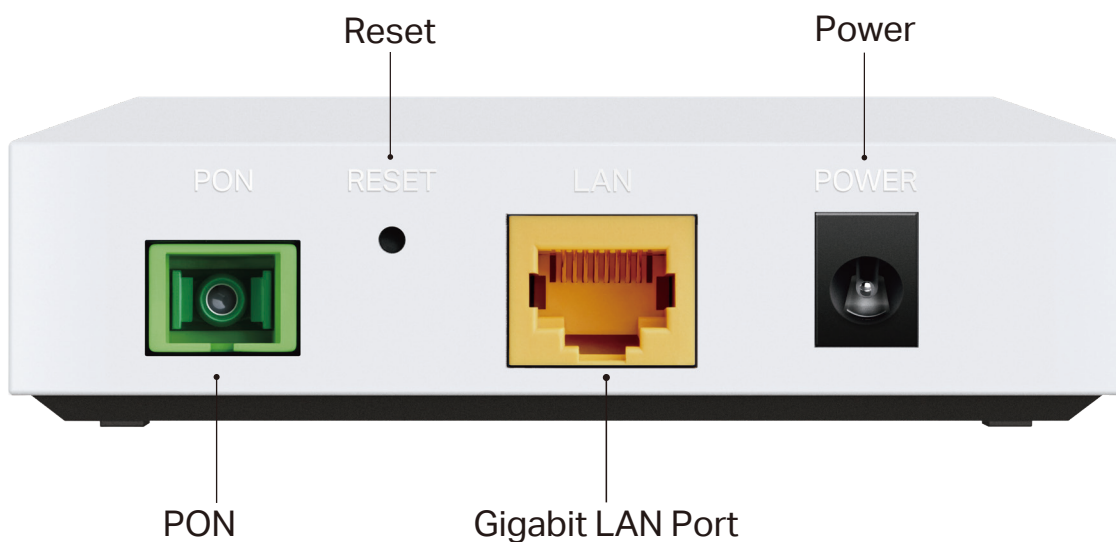
Easy Remote Management

Supports OMCI, easy to activate, configure and manage remotely.

Network Topology



Hardware Description



Specifications

Hardware

- **Interface**
1 × 10/100/1000Mbps LAN Port, 1 × SC/APC PON Port
- **Button**
Reset Button
- **Power Adapter Input**
100-240V/50-60Hz
- **Power Adapter Output**
9V/0.6A
- **Dimensions (W * D * H)**
3.7 x 3.0 x 1.2 in. (95.0 x 75.0 x 29.3 mm)
- **CPU**
FA626 533MHz CPU

General Specifications

- **GPON**
ITU G. 984 standard, Class B+
2.488Gbps downstream/1.244Gbps upstream
- **EPON**
1000BASE-PX20+ symmetric
1.25Gbps downstream/upstream
- **Wavelength**
1490nm downstream/1310nm upstream
- **Receiving sensitivity**
GPON: -27dBm; EPON: -27dBm
- **Saturated power**
GPON: -8dBm; EPON: -3dBm
- **Transmitting power**
GPON: 0.5~5dBm; EPON: 0~4dBm
- **Input optical power**
-18dBm~0dBm
- **Output reflection loss**
>15dB 47MHz~1000MHz
- **Transmitter**
DFB Laser
- **Receiver**
PIN-TIA
- **Distance**
0 ~ 20Km Max

Software

- **Protocols**
Supports IPv4 and IPv6
- **Working Mode**
Bridge
- **Features**
GPON, DBA, FEC
- **Management**
Local management, OMCI
- **VLAN**
802.1Q tag VLAN
- **VLAN Mode**
Transparent/Translation/Trunk
- **Authentication**
Based on SN and Password, VLAN Auto Detect
- **IGMP**
IGMP v1/v2/v3
- **Security**
AES Encryption, Packet Filter based on VLAN
- **Advanced Functions**
Upstream and Downstream FEC, Dynamic Bandwidth Allocation(DBA) Support NSR/SR, Up to 16 T-CONTs and 256 GEM Ports, Optical Power Detection, Dying Gasp, Terminal Silent Mechanism

Others

- **Certification**
CE, RoHS
- **System Requirements**
Internet Explorer 11+, Firefox 12.0+, Chrome 20.0+, Safari 4.0+, or other JavaScript-enabled browser
Cable or DSL Modem (if needed)
Subscription with an internet service provider (for internet access)
- **Environment**
Operating Temperature: 0°C~40°C (32°F~104°F),
Storage Temperature: -40°C ~60°C (-40°F ~140°F)
Operating Humidity: 10%~90% non-condensing
Storage Humidity: 5%~90% non-condensing
- **Package Contents**
1-Port Gigabit XPON Terminal XZ000-G7
1 × Power Adapter
1 × Quick Installation Guide
1 × GPL Statement