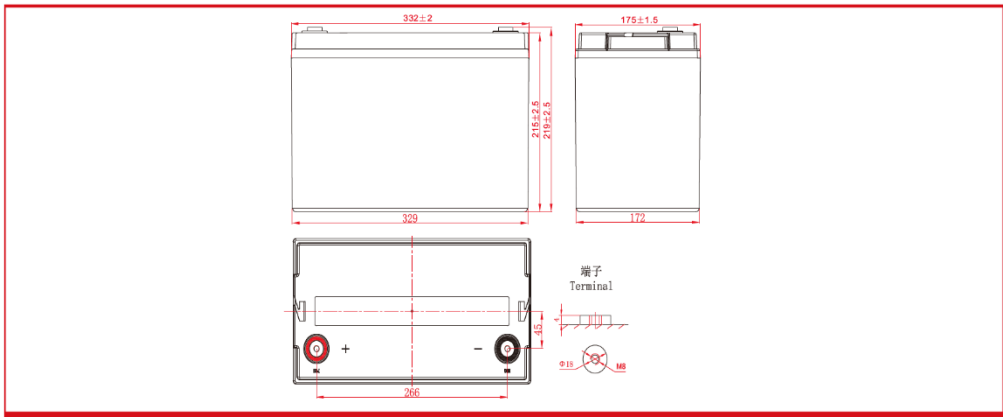




Maxlink batteries use high purity raw materials and low density electrolyte to make the batteries have good cycle performance and low self-discharge rate. It is suitable for UPS, solar & wind energy, telecom system, electric power system.

Cells per unit:	6
Voltage per unit:	12
Capacity:	100Ah @ 20hr-rate to 1.75V per cell @25°C (77°F)
Weight:	Approx. 27.6kg
Maximum discharge current:	1200A (5sec)
Internal resistance:	Approx. 5.2 mΩ
Operating temperature range:	Discharge -15°C ~ 50°C
	Charge -15°C ~ 40°C
	Storage -15°C ~ 40°C
Nominal operating temp. range:	25°C +/- 3°C
Float charging voltage:	13.5 to 13.8VDC / unit, average at 25°C
Recommended max. charging current limit:	25A
Equalization and cycle service:	14.4 to 15VDC / unit, average at 25°C
Self discharge:	Can be stored for more than 6 months at 25°C, please charge batteries before using.
Connector:	2x M8
Battery Dimensions:	215 x 332 x 175 mm +/- 2.5mm



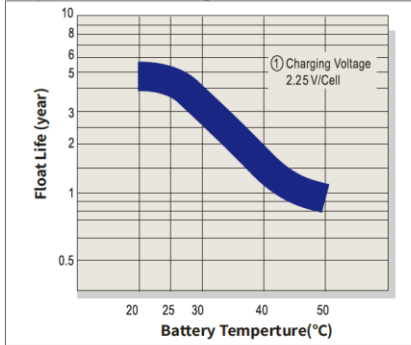
(A)25°C Constant Current Discharge

F.V/Time	30min	1h	2h	3h	5h	10h	20h
1.60V	97.7	59.0	37.1	24.8	16.6	9.49	5.06
1.67V	95.8	58.1	36.6	24.5	16.5	9.47	5.05
1.70V	94.5	57.5	36.2	24.4	16.4	9.46	5.03
1.75V	91.3	55.6	35.0	24.0	16.2	9.41	5.00
1.80V	86.9	53.2	33.5	23.1	15.7	9.26	4.91
1.85V	81.4	49.4	31.1	21.2	14.6	8.90	4.75

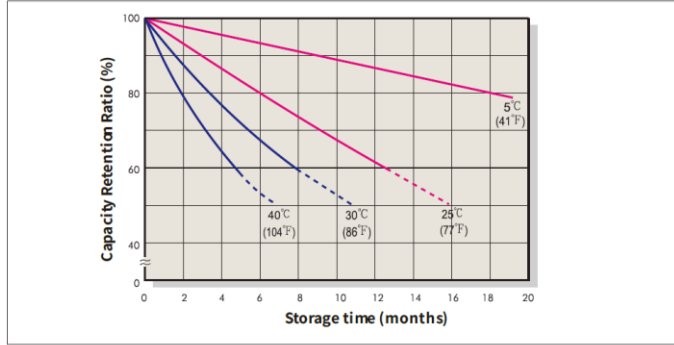
(W/cell)25°C Constant Power Discharge

F.V/Time	30min	1h	2h	3h	5h	10h	20h
1.60V	185	112	70.6	48.9	32.4	18.7	10.0
1.67V	182	111	69.7	48.4	32.3	18.6	9.91
1.70V	180	110	69.2	48.1	32.2	18.6	9.88
1.75V	174	108	67.8	47.1	31.8	18.5	9.79
1.80V	166	104	65.4	45.5	30.9	18.2	9.67
1.85V	155	98.1	61.8	42.2	29.1	17.6	9.39

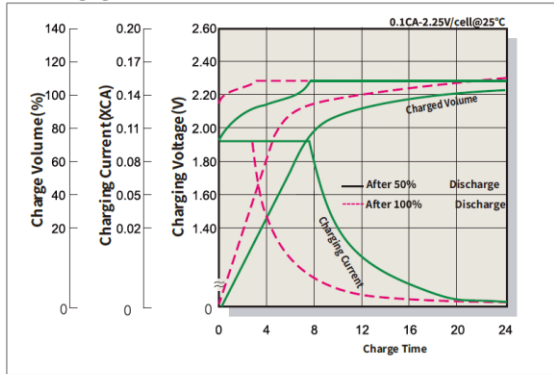
Temperature Effects on Long Term Float Life



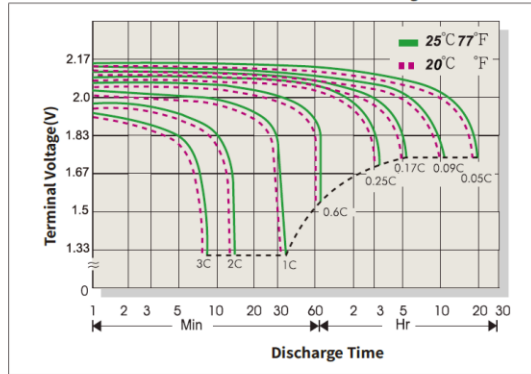
The effect of temperature on capacity



Float Charging Characteristics



Discharge Characteristics



The effect of temperature on capacity(20HR)

Temperature	Capacity(20HR)
40°C	102%
25°C	100%
0°C	85%
-15°C	65%

Self-discharge characteristics

Storage time	The remaining capacity
3 months	91%
6 months	82%
12 months	64%