

DS-2CE12HFT-F 5 MP Full Time Color Camera

ColorVu



- 5 MP, 2560 × 1944 resolution
- 24-hour color image
- 130 dB true WDR, 3D DNR
- 3.6 mm, 6 mm fixed focal lens
- Smart Light, up to 40 m white light distance
- 4 in 1 video output (switchable TVI/AHD/CVI/CVBS)
- IP67



Specification

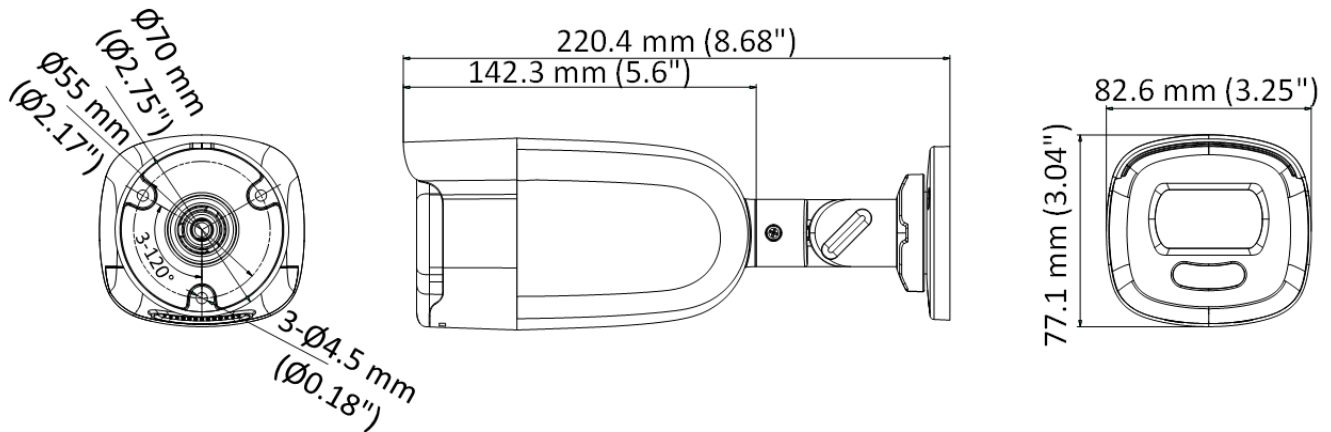
| Camera | |
|--------------------------|---|
| Image Sensor | 5 MP CMOS |
| Signal System | PAL/NTSC |
| Resolution | 2560 (H) × 1944 (V) |
| Frame Rate | TVI: 5MP@20fps, 4MP@30fps, 4MP@25fps, 1080p@30fps, 1080p@25fps CVI: 4MP@30fps, 4MP@25fps AHD: 5MP@20fps, 4MP@30fps, 4MP@25fps CVBS: PAL/NTSC |
| Min. illumination | 0.0005 Lux @ (F1.0, AGC ON), 0 Lux with White Light |
| Shutter Time | PAL: 1/25 s to 1/50, 000 s NTSC: 1/30 s to 1/50, 000 s |
| Slow Shutter | Max. 16 times |
| Lens | 3.6 mm, 6 mm fixed lens |
| Horizontal Field of View | 80.1° (3.6 mm), 49.3° (6 mm) |
| Lens Mount | M16 |
| Day & Night | Color |
| WDR (Wide Dynamic Range) | ≥130 dB |
| Angle Adjustment | Pan: 0 to 360°, Tilt: 0 to 180°, Rotation: 0 to 360° |
| Menu | |
| White Light | Auto/Off |
| Image Mode | STD/HIGH-SAT |
| AGC | Yes |
| Day/Night Mode | Color |
| White Balance | Auto/Manual |
| AE (Auto Exposure) Mode | WDR/BLC/HLC/Global/HLS/Anti-banding |
| Privacy Mask | 4 programmable privacy masks |
| Motion Detection | 4 programmable motion areas |
| Noise Reduction | 3D DNR |
| Language | English |
| Function | Brightness, Sharpness, Mirror, Smart Light |
| Interface | |
| Video Output | Switchable TVI/AHD/CVI/CVBS |
| General | |
| Operating Conditions | -40 °C to 60 °C (-40 °F to 140 °F), humidity 90% or less (non-condensing) |
| Power Supply | 12 VDC ± 25% <i>*You are recommended to use one power adapter to supply the power for one camera.</i> |
| Power Consumption | Max. 4.9 W |
| Protection Level | IP67 |
| Material | Metal |
| White Light Range | Up to 40 m |

| | |
|---------------|--|
| Communication | HIKVISION-C |
| Dimensions | 82.6 mm × 77.1 mm × 220.4 mm (3.25" × 3.04" × 8.68") |
| Weight | Approx. 565 g (1.25 lb.) |

Available Model

DS-2CE12HFT-F

Dimension



Accessory



**DS-1280ZJ-XS
Junction Box**

Distributed by

**HIKVISION®****Headquarters**

No.555 Qianmo Road, Binjiang District,
Hangzhou 310051, China
T +86-571-8807-5998
overseasbusiness@hikvision.com

Hikvision USA

T +1-909-895-0400
sales.usa@hikvision.com

Hikvision Australia

T +61-2-8599-4233
salesau@hikvision.com

Hikvision India

T +91-22-28469900
sales@pramahikvision.com

Hikvision Canada

T +1-866-200-6690
sales.canada@hikvision.com

Hikvision Thailand

T +662-275-9949
sales.thailand@hikvision.com

Hikvision Europe

T +31-23-5542770
sales.eu@hikvision.com

Hikvision Italy

T +39-0438-6902
info.it@hikvision.com

Hikvision Brazil

T +55 11 3318-0050
Latam.support@hikvision.com

Hikvision Turkey

T +90 (216)521 7070- 7074
sales.tr@hikvision.com

Hikvision Malaysia

T +601-7652-2413
sales.my@hikvision.com

Hikvision UK & Ireland

T +01628-902140
sales.uk@hikvision.com

Hikvision South Africa

Tel: +27 (10) 0351172
sale.africa@hikvision.com

Hikvision France

T +33(0)1-85-330-450
info.fr@hikvision.com

Hikvision Kazakhstan

T +7-727-9730667
nikia.panfilov@hikvision.ru

Hikvision Vietnam

T +84-974270888
sales.vt@hikvision.com

Hikvision UAE

T +971-4-4432090
salesme@hikvision.com

Hikvision Singapore

T +65-6684-4718
sg@hikvision.com

Hikvision Spain

T +34-91-737-16-55
info.es@hikvision.com

Hikvision Tashkent

T +99-87-1238-9438
uzb@hikvision.ru

Hikvision Hong Kong

T +852-2151-1761
info.hk@hikvision.com

Hikvision Russia

T +7-495-669-67-99
saleru@hikvision.com

Hikvision Korea

T +82-(0)31-731-8817
sales.korea@hikvision.com

Hikvision Poland

T +48-22-460-01-50
info.pl@hikvision.com

Hikvision Indonesia

T +62-21-2933759
Sales.Indonesia@hikvision.com

Hikvision Colombia

sales.colombia@hikvision.com