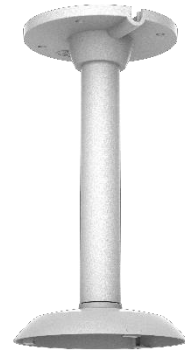


DS-1271ZJ-PT10

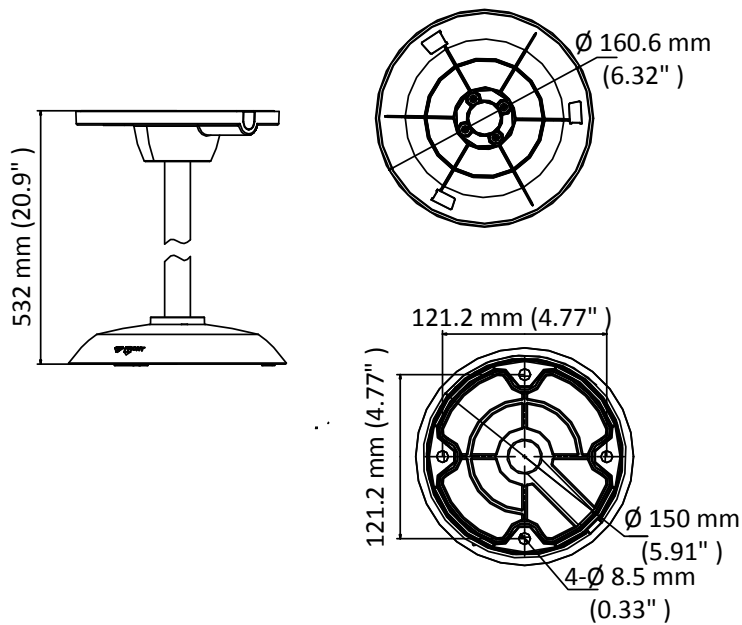
Pendant Mount



Feature

- Aluminum alloy and plastic with surface spray treatment
- The cap facilitates the installation

Dimension



Available Model

DS-1271ZJ-PT10

Parameter

| | |
|------------|-------------------------------------|
| Model | DS-1271ZJ-PT10 |
| Parameters | Pendant Mount |
| Appearance | Hikvision White |
| Material | Aluminum Alloy and Plastic |
| Dimension | Ø 160.6 mm × 532 mm (6.32" × 20.9") |
| Weight | 1300 g (2.87 lb.) |

Note

- The mount should be installed on the flat surface.
- The waterproof rubber is necessary for the outdoor application.
- The wall must be capable of supporting at least 3 times as much as the total weight of the camera, and the mount.
- The mount's maximum load capacity is 3 kg (6.61 lb.).