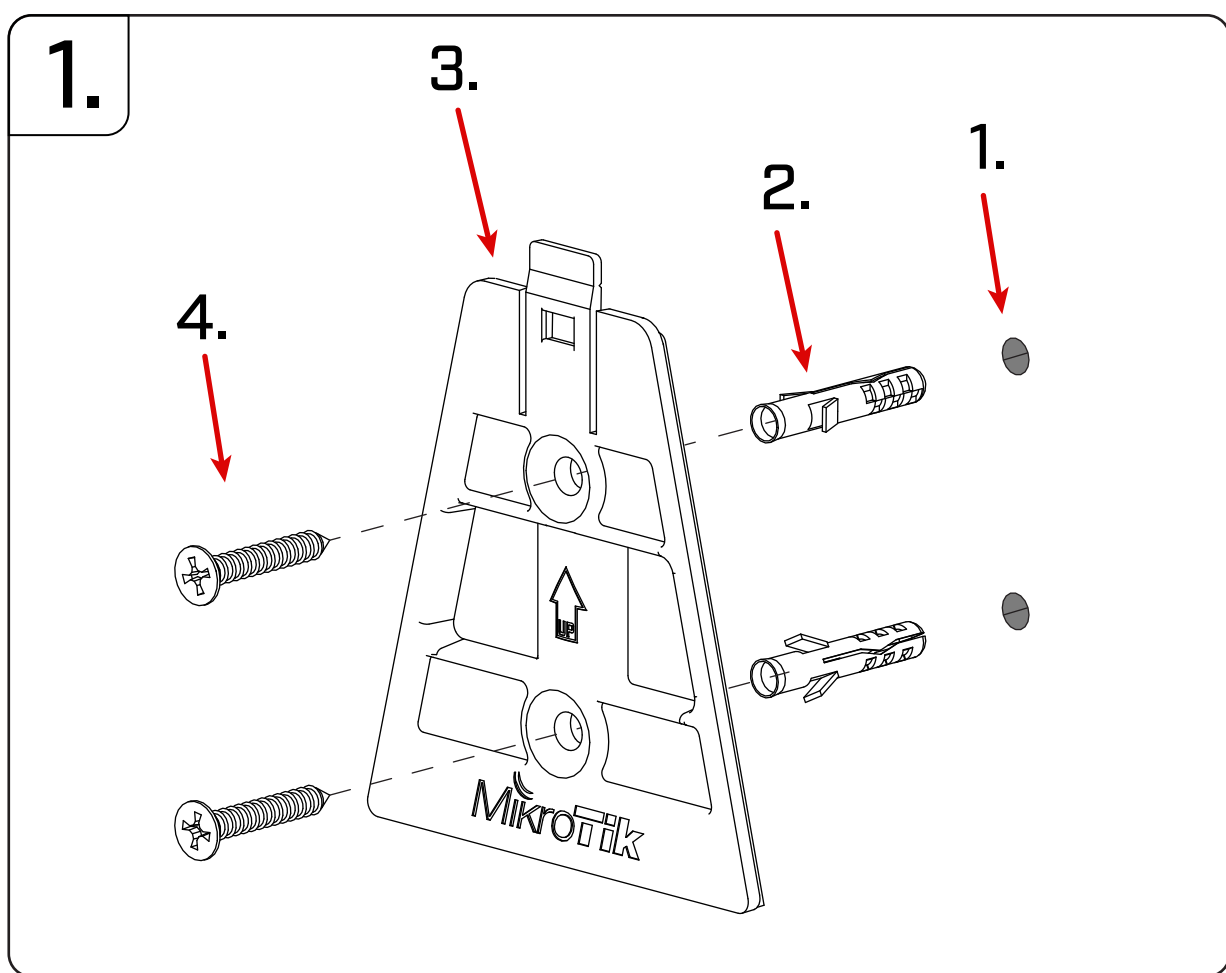
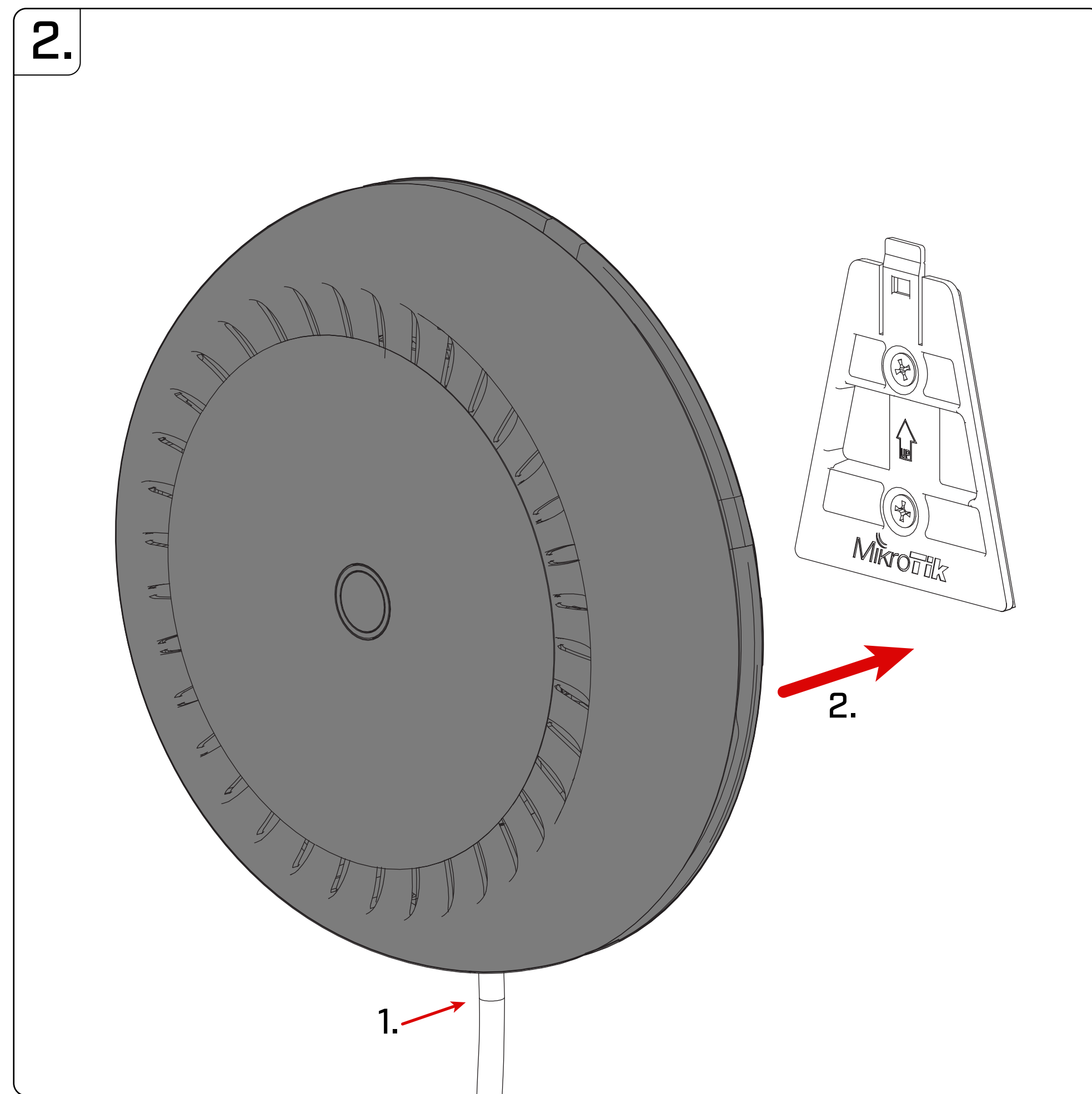


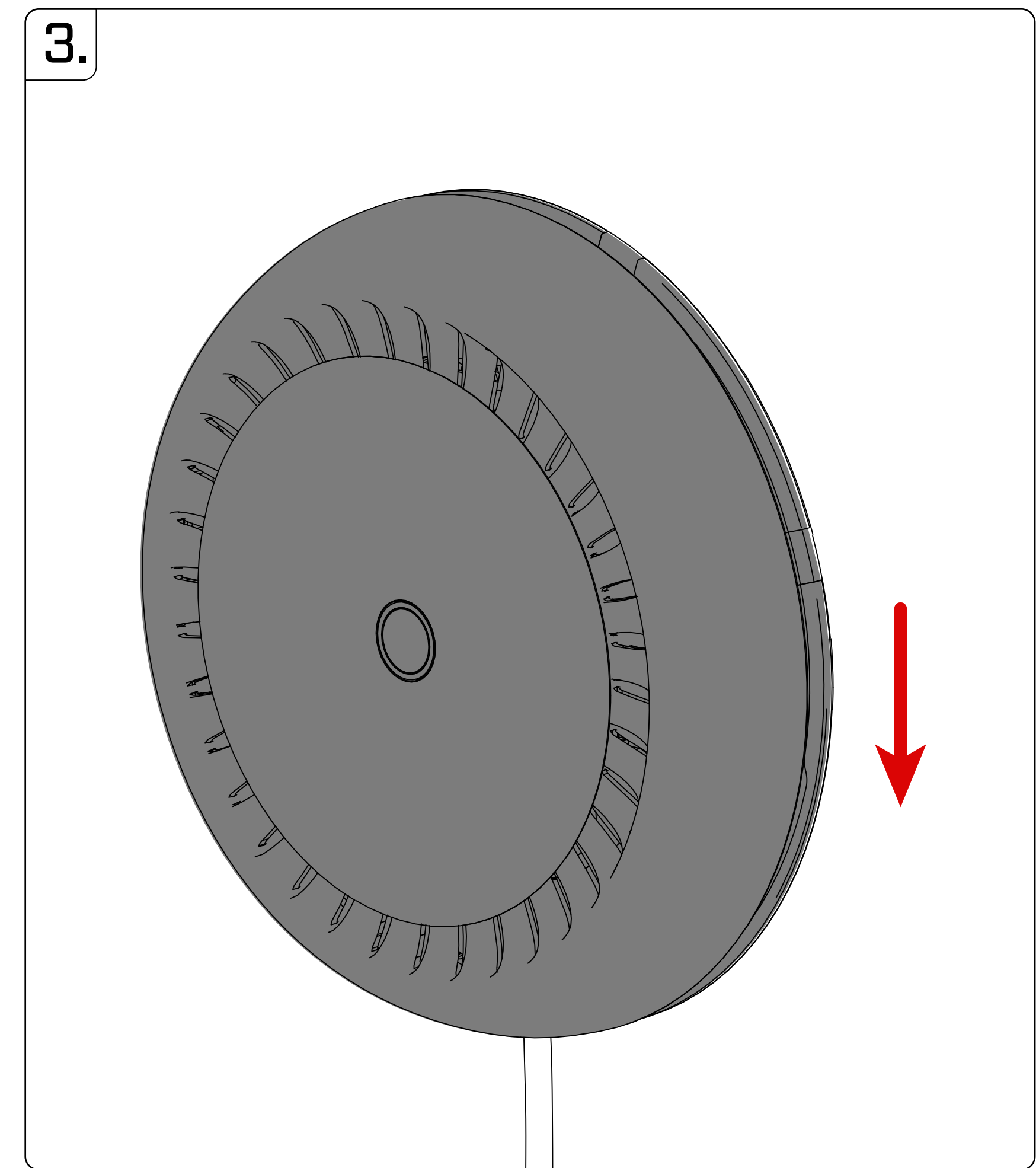
Wall: version 1



1. Drill two 4.5-5mm holes for anchors [1]. Insert plastic anchors into the holes [2]. Attach the mount [3] and secure the mount with screws [4].

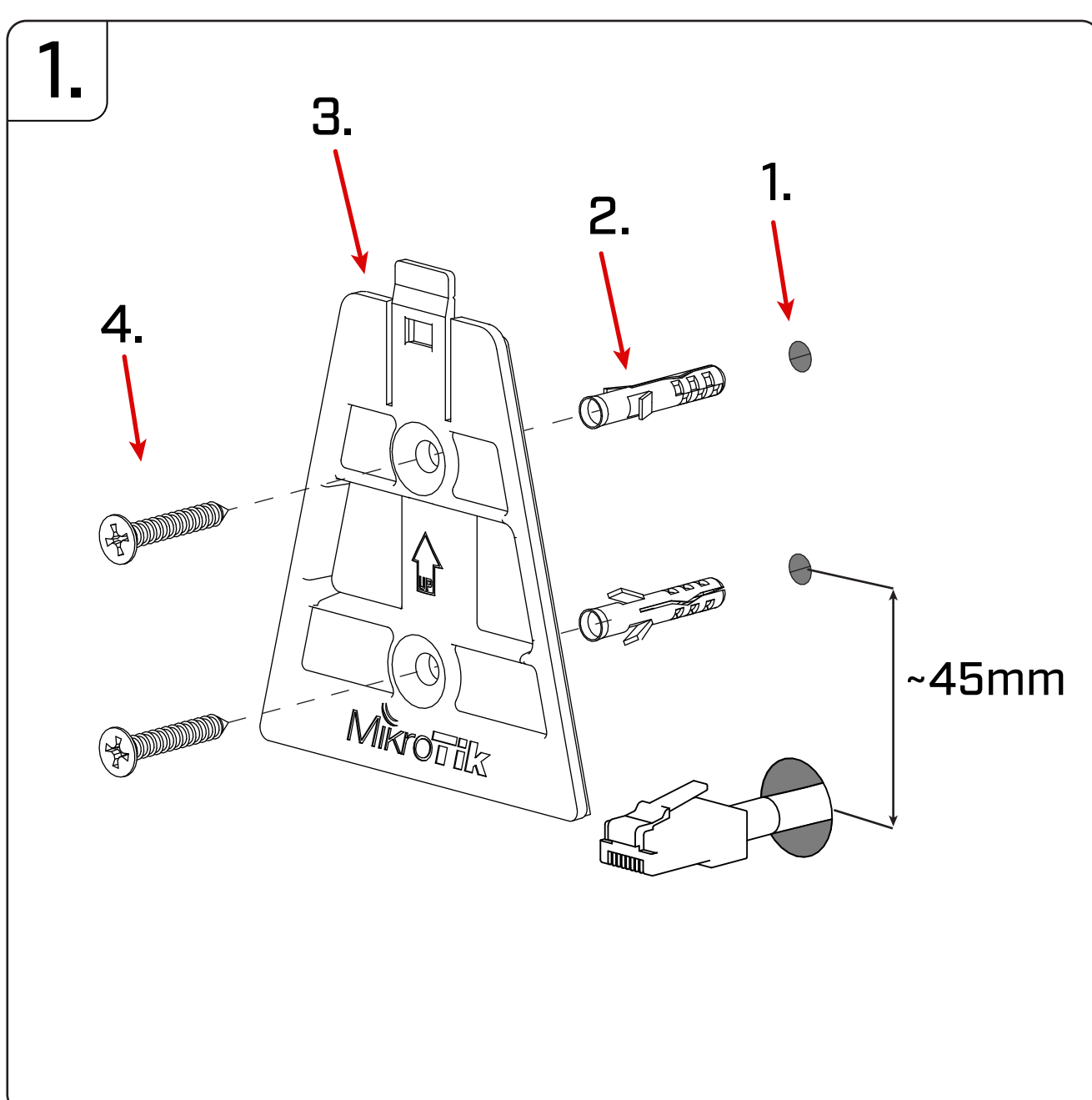


2. Connect ethernet cable with product, then attach product to the mount.

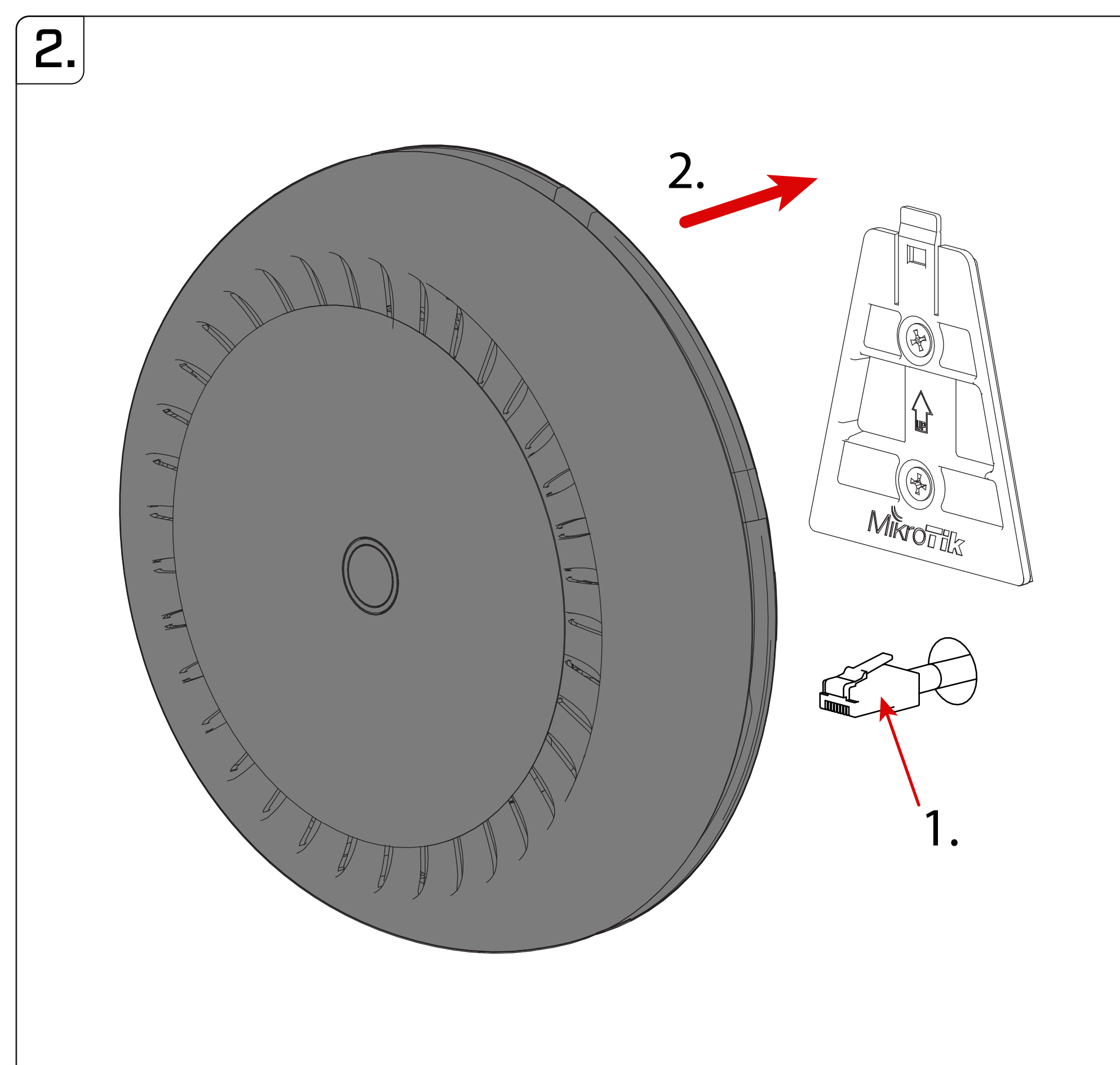


3. When the product is attached on the mount, pull it down until it snaps into place.

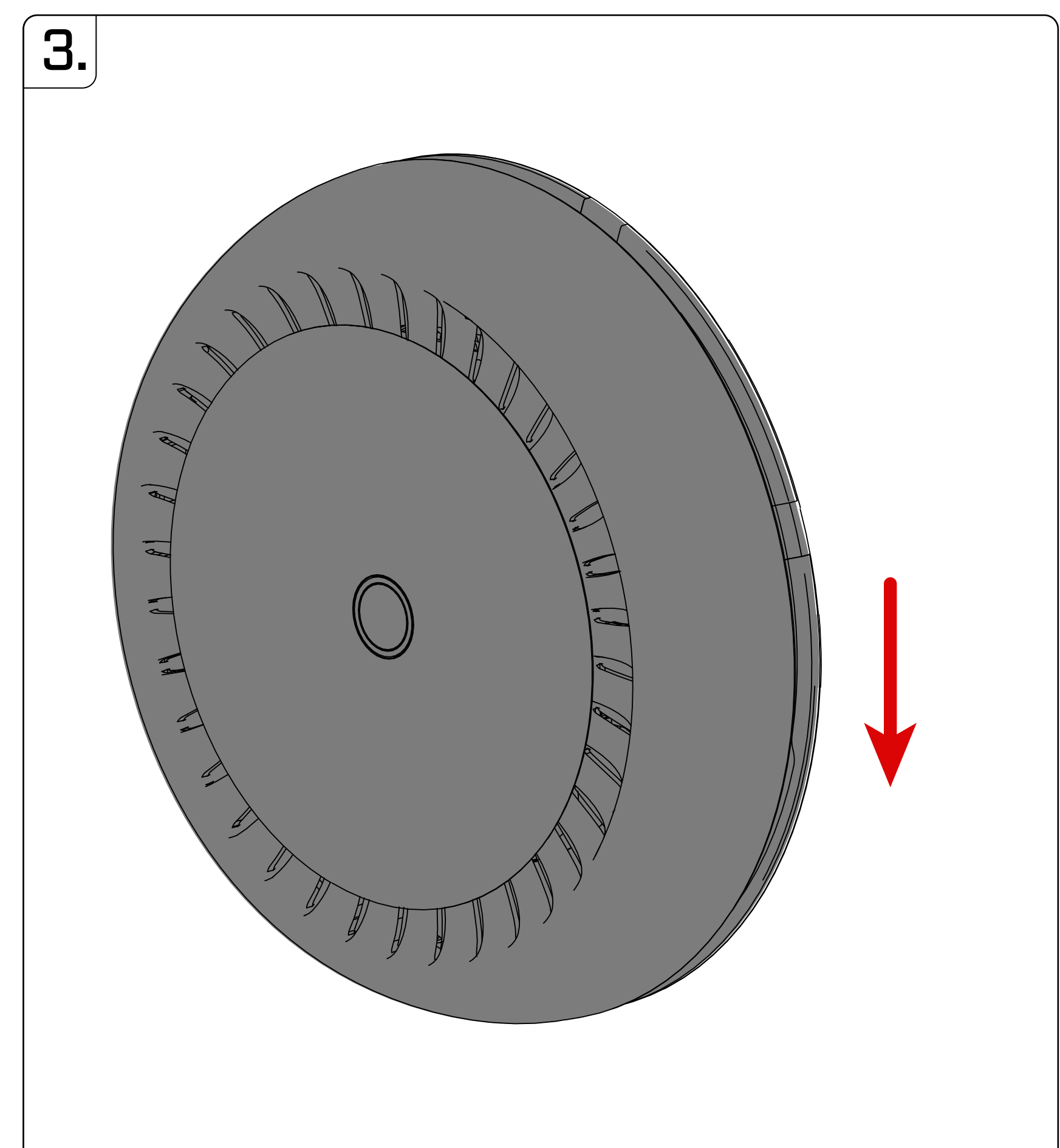
Wall: version 2



1. Drill two 4.5-5mm holes for anchors [1]. Insert plastic anchors into the holes [2]. Attach the mount [3] and secure the mount with screws [4].

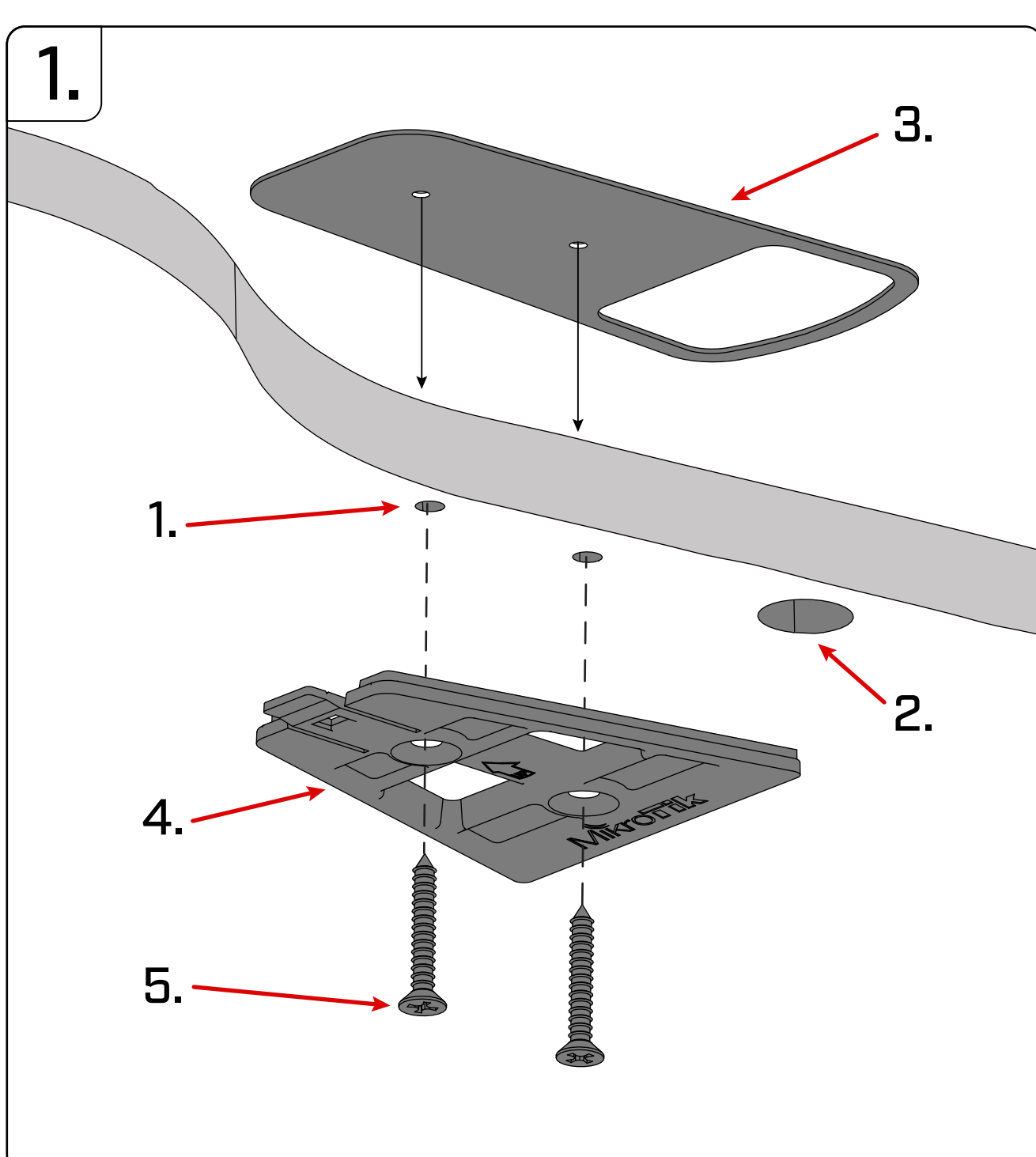


2. Connect ethernet cable [1] with product, then attach product to the mount.

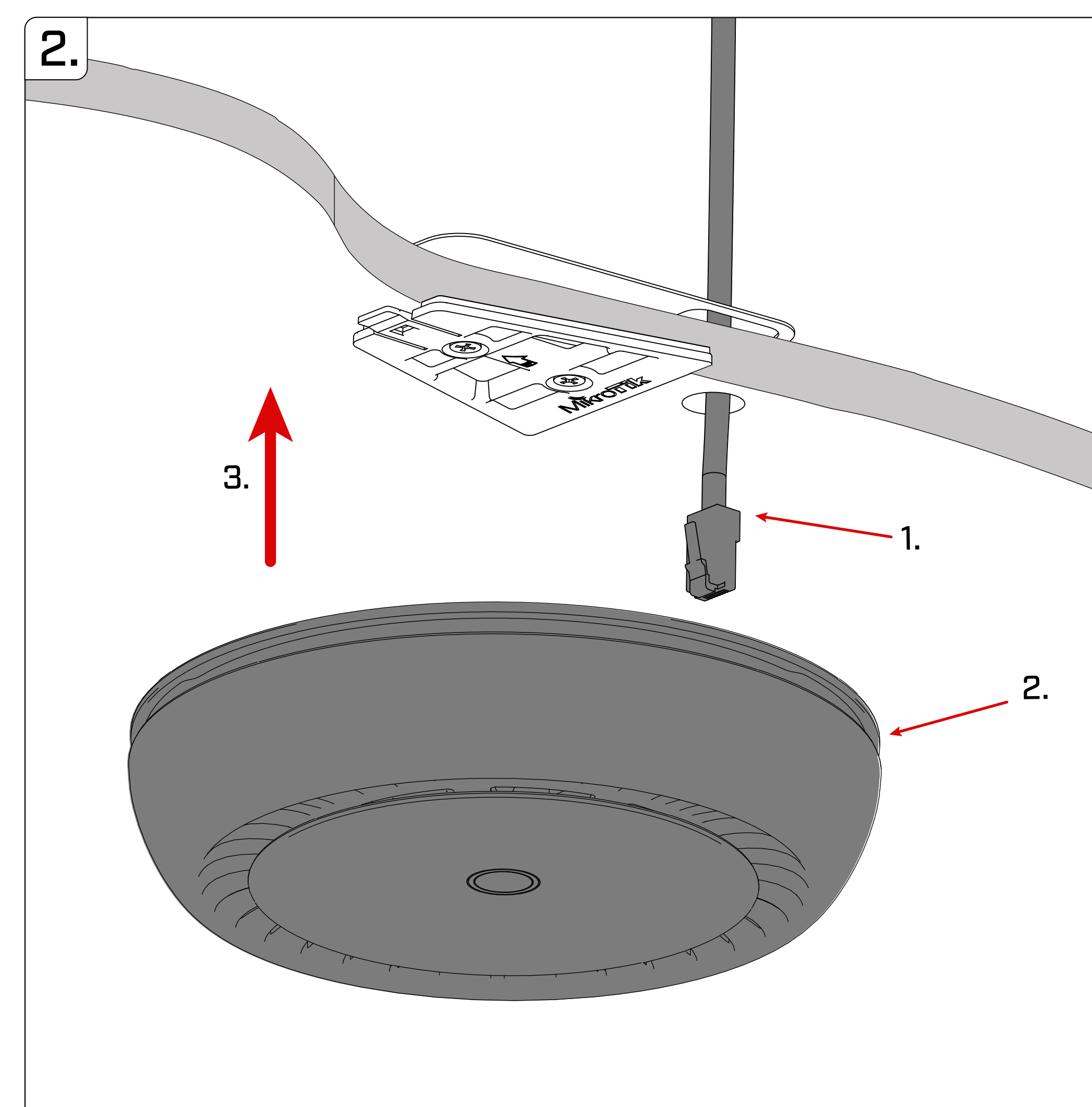


3. When the product is attached on the mount, pull it down until it snaps into place.

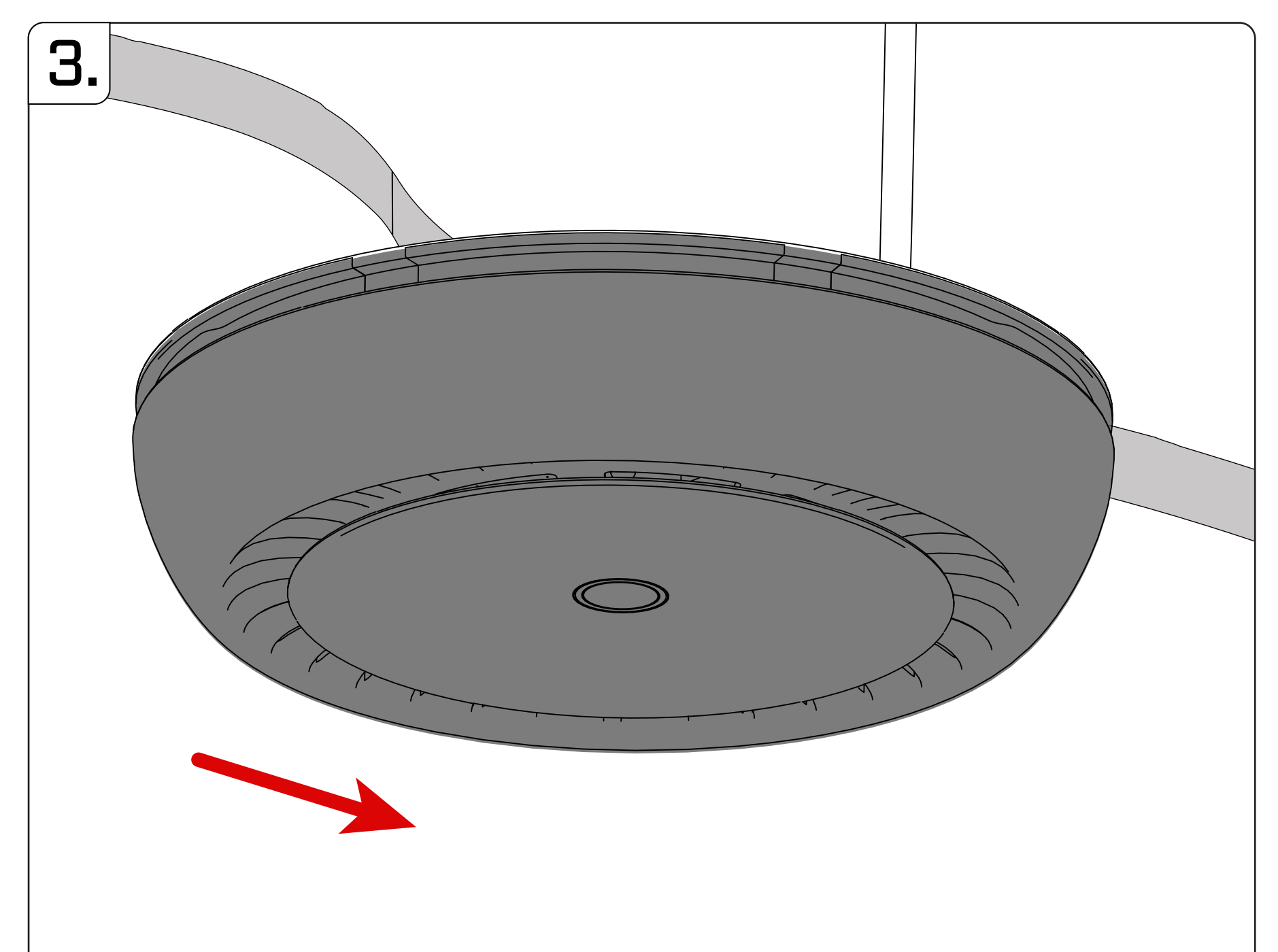
Ceiling



1. Drill two 4.5-5mm holes for anchors [1] and 8mm hole for ethernet cable [2]. Attach sheet metal plate in other side of ceiling panel [3], and with screws [5] tighten together with mount part [4].



2. Insert ethernet cable [1] through sheet metal loop and drill hole. Connect cable with product [2]. Attach on the mount [3].



3. When the product is attached on the mount, push it in showing direction until it snaps into place.