

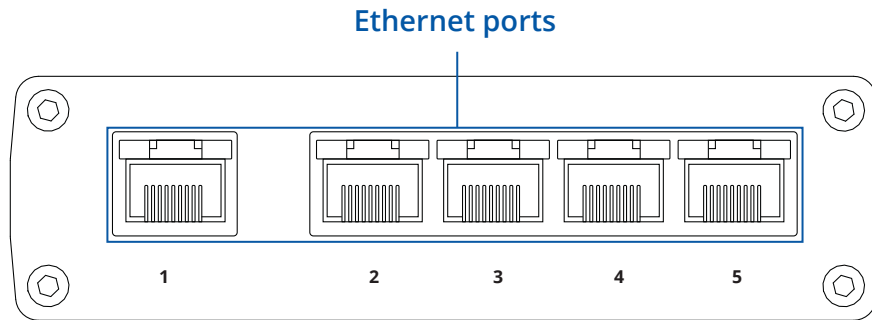


TSW110

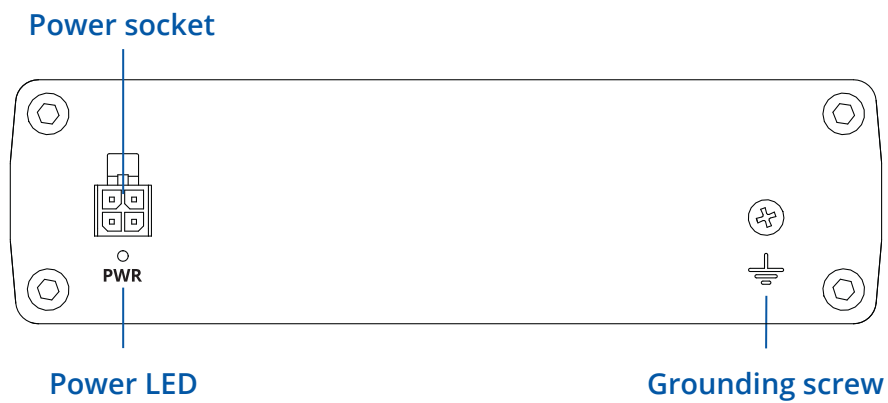


HARDWARE

FRONT VIEW

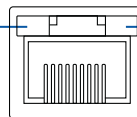


BACK VIEW



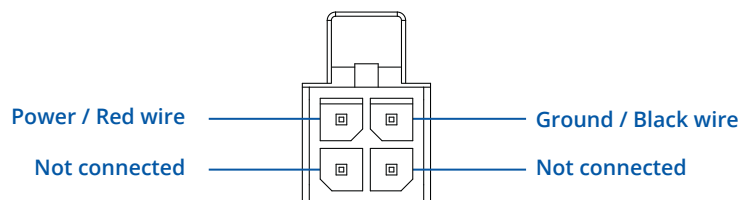
RJ45 LED MEANING

Orange LED on: link established
10/100/1000 Mbps
Orange LED blinking: active connection



Green LED on: link established
1000Mbps

POWER SOCKET PINOUT



FEATURES

ETHERNET

| | |
|-----|---|
| LAN | 5 x LAN ports, 10/100/1000 Mbps, compliance with IEEE 802.3, IEEE 802.3u, 802.3az standards, supports auto MDI/MDIX crossover |
|-----|---|

PERFORMANCE SPECIFICATIONS

| | |
|------------------------------|---|
| Bandwidth (Non-blocking) | 10 Gbps |
| Packet buffer | 128 KB |
| MAC address table size | 2K entries |
| Connector | 4 pin industrial DC power socket |
| Input voltage range | 9 - 30 VDC, reverse polarity protection, voltage surge/transient protection |
| PoE (passive) | Passive PoE. Possibility to power up through LAN port, not compatible with IEEE802.3af, 802.3at and 802.3bt standards |
| Power consumption (idle/max) | < 0.4 W / <1.8 W |

PHYSICAL INTERFACES (PORTS, LEDS)

| | |
|-------------|--------------------------------------|
| Ethernet | 5 x RJ45 ports, 10/100/1000 Mbps |
| Status LEDs | 1 x Power LED, 10 x LAN status LED's |
| Power | 1 x 4 pin DC connector |
| Ground | 1 x Grounding screw |

PHYSICAL SPECIFICATION

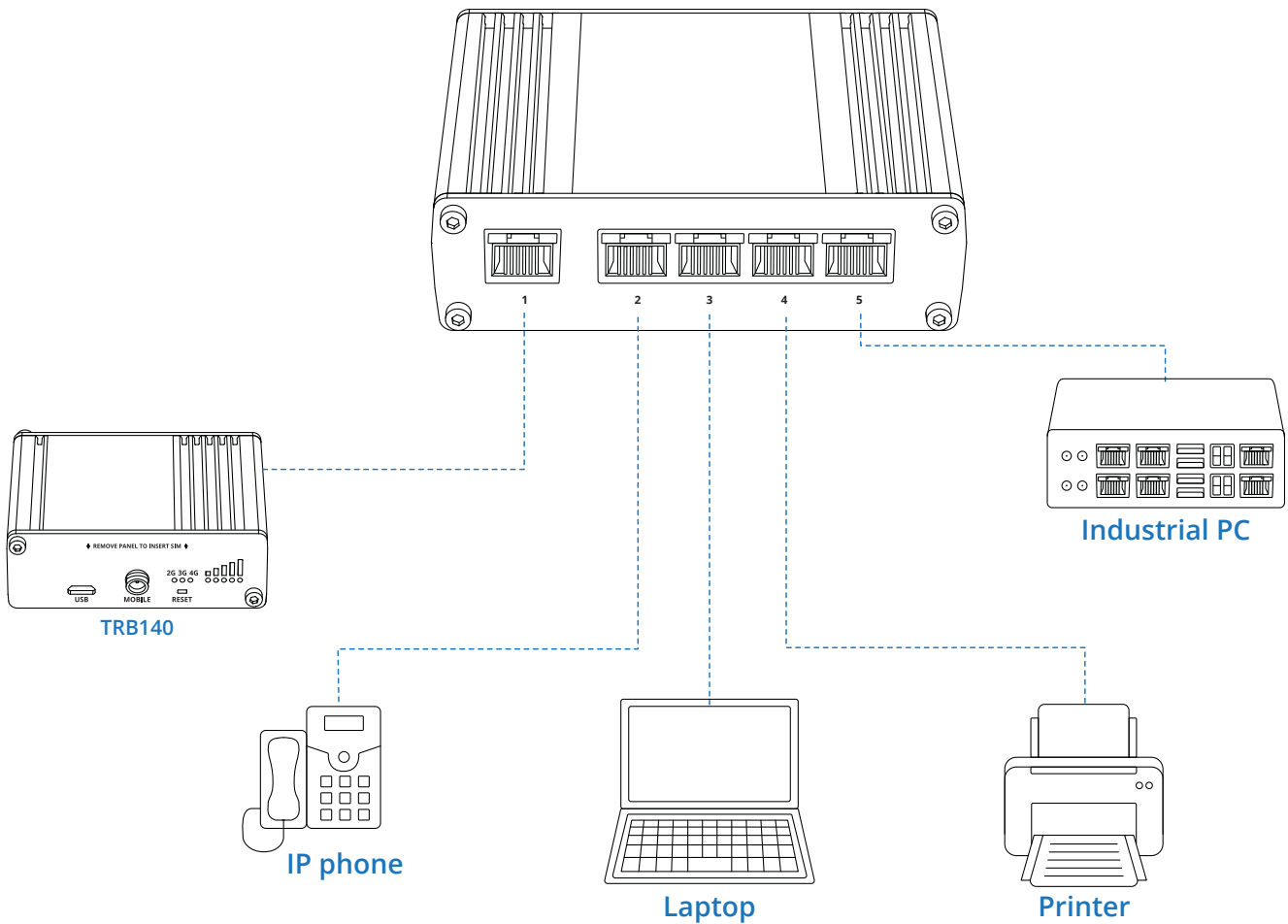
| | |
|------------------------|---|
| Casing material | Full aluminum housing |
| Dimensions (W x H x D) | 100 x 30 x 85 mm |
| Weight | 227 g |
| Mounting options | DIN rail or wall mounting (additional kit needed), flat surface placement |

OPERATING ENVIRONMENT

| | |
|-----------------------|-----------------------------|
| Operating temperature | -40 C to 75 C |
| Operating humidity | 10 % to 90 % non-condensing |

HARDWARE INSTALLATION

1. Connect your main internet router/modem to TSW110 LAN port number 1.
2. Connect end devices (ex. Industrial PC, printers, IP phones, laptops) to TSW110 2 to 5 port.
3. Connect 4 pin power plug to TSW110 to power up switch.



TECHNICAL INFORMATION

| Technical specifications | |
|-------------------------------------|---|
| Input voltage range | 9 - 30 VDC |
| Max power consumption | <1.8 W |
| Bundled accessories specifications* | |
| Power adapter | Input: 0.4 A @100-240 VAC, Output: 9 VDC, 1 A, 4 pin plug |

* Order code dependent.

WHAT'S IN THE BOX?

STANDARD PACKAGE CONTAINS*

- TSW110
- 9 W PSU
- QSG (Quick Start Guide)
- Packaging box



* For all standard order codes standard package contents are the same, except for PSU.

STANDARD ORDER CODES

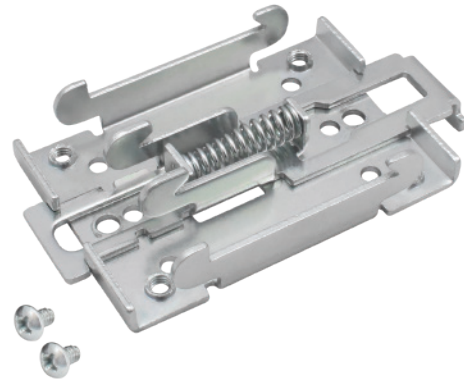
| PRODUCT CODE | HS CODE | HTS CODE | PACKAGE CONTAINS |
|--------------|---------|------------|--------------------------------|
| TSW110000000 | 851762 | 8517.62.00 | Standard package with Euro PSU |
| TSW110000010 | 851762 | 8517.62.00 | Standard package with US PSU |

For more information on all available packaging options – please contact us directly.

MOUNTING OPTIONS

DIN RAIL KIT

| Parameter | Value |
|-------------------|---|
| Mounting standard | 35mm DIN Rail |
| Material | Low carbon steel |
| Weight | 57g |
| Screws included | Philips Pan Head screw #6-32×3/16, 2pcs |
| Dimensions | 82 mm x 46 mm x 20 mm |
| RoHS Compliant | V |



DIN RAIL KIT

- DIN Rail adapter
- Philips Pan Head screw #6-32×3/16, 2pcs for RUT2xx/RUT9xx

ORDER CODE

PR5MEC00

HS CODE

73269098

HTS CODE

7326.90.98

For more information on all available packaging options – please contact us directly.

COMPACT DIN RAIL KIT

| Parameter | Value |
|-------------------|---|
| Mounting standard | 35mm DIN Rail |
| Material | ABS + PC plastic |
| Weight | 6.5 g |
| Screws included | Philips Pan Head screw #6-32×3/16, 2pcs |
| Dimensions | 70 mm x 25 mm x 14,5 mm |
| RoHS Compliant | V |



DIN RAIL KIT

- Compact plastic DIN Rail adapter (70x25x14,5mm)
- Philips Pan Head screw #6-32×3/16, 2pcs

ORDER CODE

PR5MEC11

HS CODE

73269098

HTS CODE

7326.90.98

For more information on all available packaging options – please contact us directly.

SURFACE MOUNTING KIT

| Parameter | Value |
|-------------------|---|
| Mounting standard | Flat surface mount |
| Material | ABS + PC plastic |
| Weight | 2x5 g |
| Screws included | Philips Pan Head screw #6-32×3/16, 2pcs |
| Dimensions | 25 mm x 48 mm x 7.5 mm |
| RoHS Compliant | V |



DIN RAIL KIT

- Surface mounting kit
- Philips Pan Head screw #6-32×3/16, 2pcs

ORDER CODE

PR5MEC12

HS CODE

73269098

HTS CODE

7326.90.98

For more information on all available packaging options – please contact us directly.

TSW110 SPATIAL MEASUREMENTS & WEIGHT

MAIN MEASUREMENTS

W x H x D dimensions for TSW110:

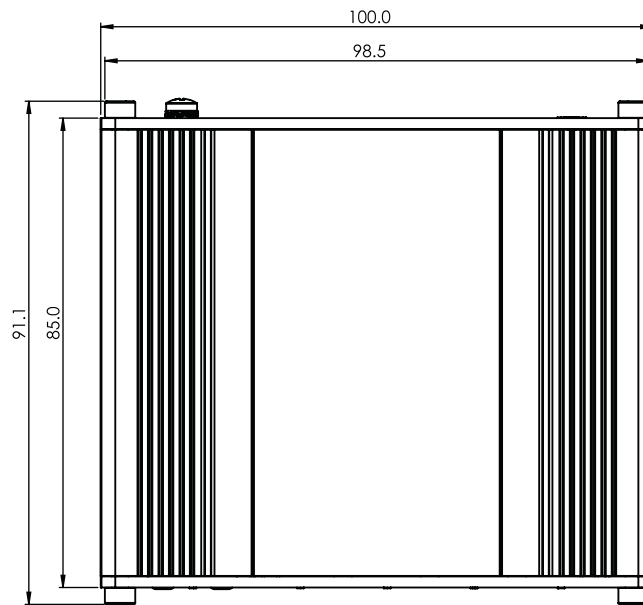
Device housing*: 100 x 30 x 85

Box: 173 x 71 x 148

*Housing measurements are presented without antenna connectors and screws; for measurements of other device elements look to the sections below.

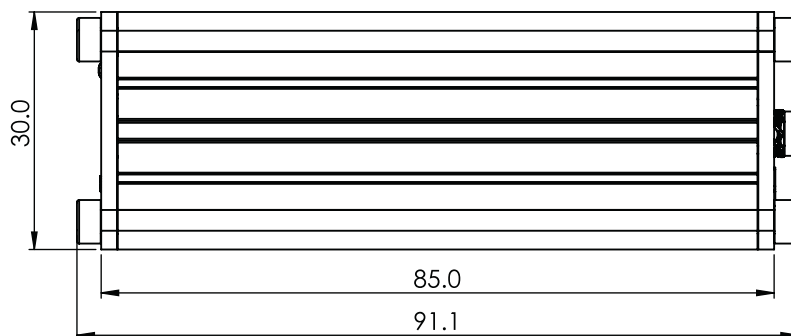
TOP VIEW

The figure below depicts the measurements of TSW110 and its components as seen from the top:



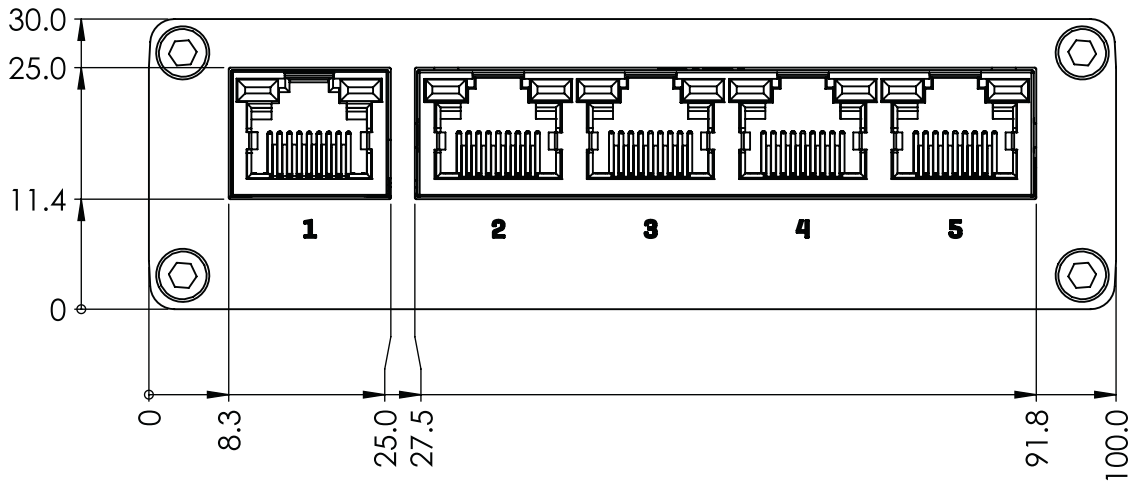
RIGHT VIEW

The figure below depicts the measurements of TSW110 and its components as seen from the right side:



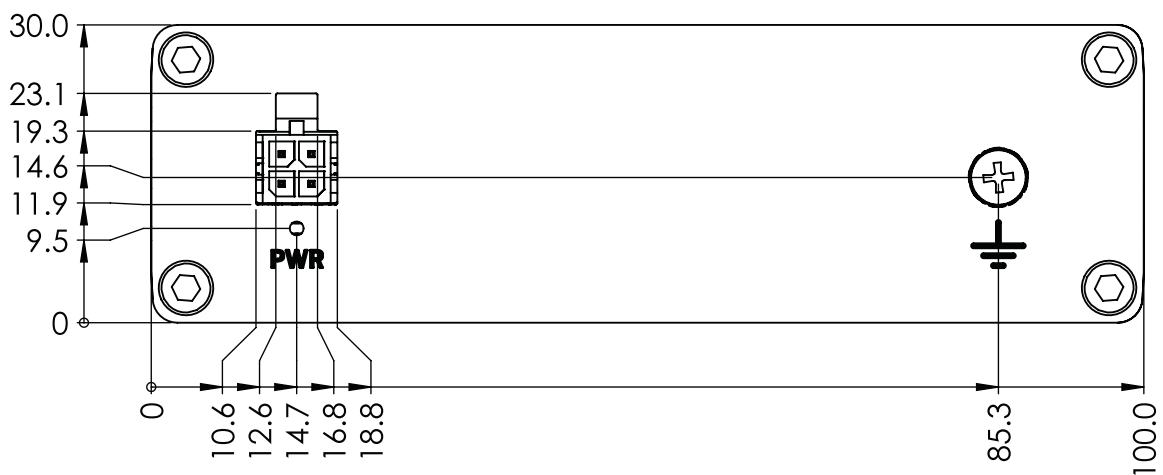
FRONT VIEW

The figure below depicts the measurements of TSW110 and its components as seen from the front panel side:



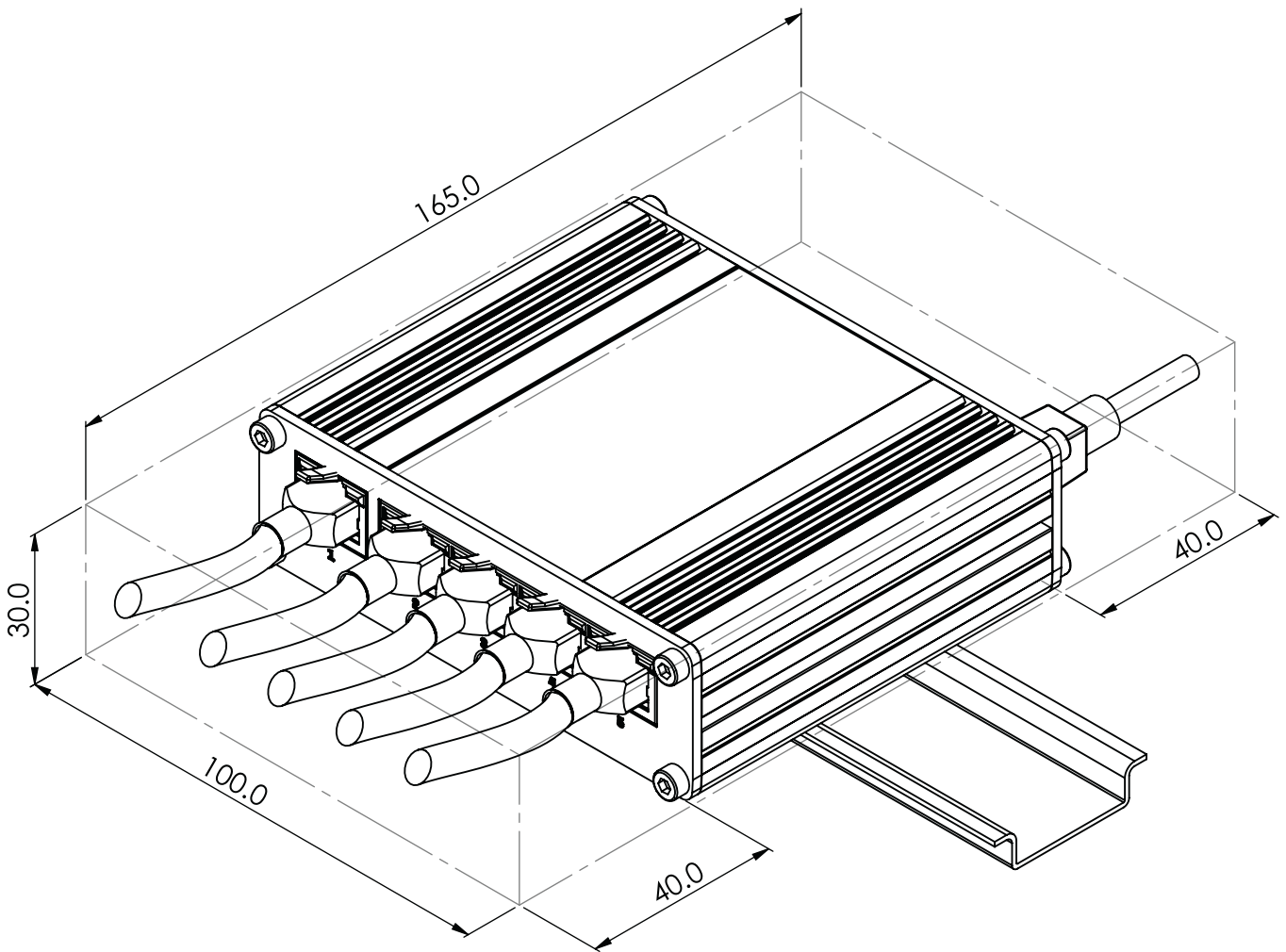
REAR VIEW

The figure below depicts the measurements of TSW110 and its components as seen from the back panel side:



MOUNTING SPACE REQUIREMENTS

The figure below depicts an approximation of the device's dimensions when cables and antennas are attached:



DIN RAIL

The scheme below depicts protrusion measurements of an attached DIN Rail:

