

**MAXPI15W**

## Gigabit Active 802.3af PoE Midspan

### Product Overview

MAXPI15W is an indoor rated active PoE midspan Injector specially designed for complex backhaul and networking applications. It provides 48Vdc, 0.32A power for remote PDs over 2 pairs output. It supports both 10/100 Base-T and Gigabit device.

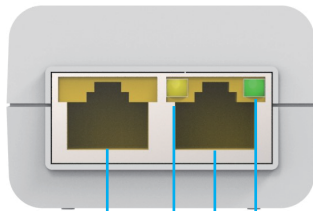
It works for 15.4W PoE PDs, such as wireless APs, Wifi routers, Network cameras, IP Phones, Microwave Radio and other power Ethernet terminals. It fully complies to IEEE802.3af PoE standard.

Enclosed in an IP40 fire retardant plastic case. It works with a wide input voltage of 100-240 VAC, 50 or 60 Hz. It has detection chip inside, which will detect and classify PD before powering it. It will not provide power until a standard-compliant PD is detected.

The effective distance is 100 meters over Cat5e/Cat6 cables. It is small in size but high performance



### Product Profile



1 2 3 4

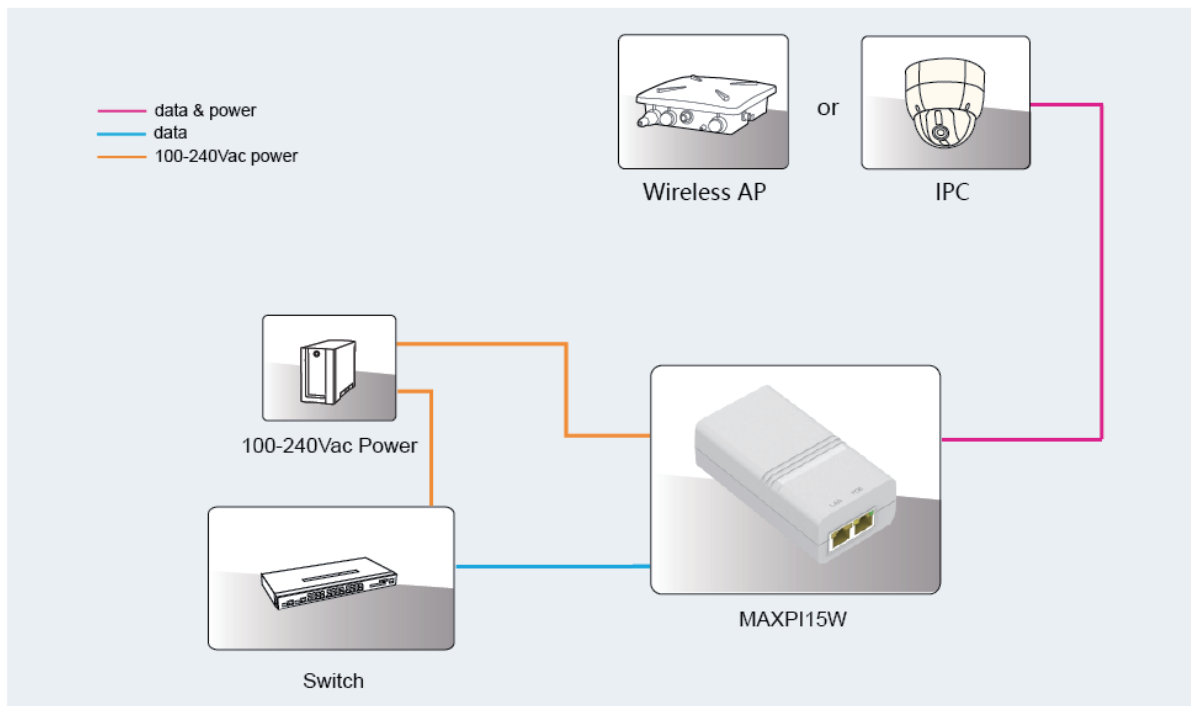
1. LAN: Data Input Port
2. Power Indicator
3. PoE: Data & Power Output Port



5

4. PoE Load Indicator
5. AC Power Input

### Product Working Diagram



## Specification

### Standard

- IEEE802.3 10Base-T Ethernet
- IEEE802.3u 100Base-Tx Fast Ethernet
- IEEE802.3ab 1000Base-T Gigabit Ethernet
- Full compliant with IEEE802.3af PoE standard
- RoHS Compliance
- WEEE Compliance

### Input & Output

- Input :100-240Vac 0.5A 50/60Hz
- Output: 48Vdc 320mA
- Power Pins: 4/5(+), 7/8(-)
- Data Speed: 10/100/1000Mbps

### Working Environment

- Operating Temperature: 0°C to 40°C
- Operating Humidity: 20% to 80%, non-condensation
- Storage Temperature: -20°C to 70°C
- Storage Humidity: 10% to 90%, non-condensation
- Operating Altitude: up to 2000meters

### AC Surge Protection

- Line-Earth 1.2/50us (8/20us): 2KV
- Line-Line 1.2/50us (8/20us): 1KV

### Mechanical Characteristics

- Case: Plastic
- Color: White
- IP Rated: IP40
- Size: 107.3mm X 56mm X 34mm
- Weight: 150g

## Safety Approvals

- CE
- FCC

### EMI

- FCC CFR47 Part 15, EN55024, EN55032

### EMS

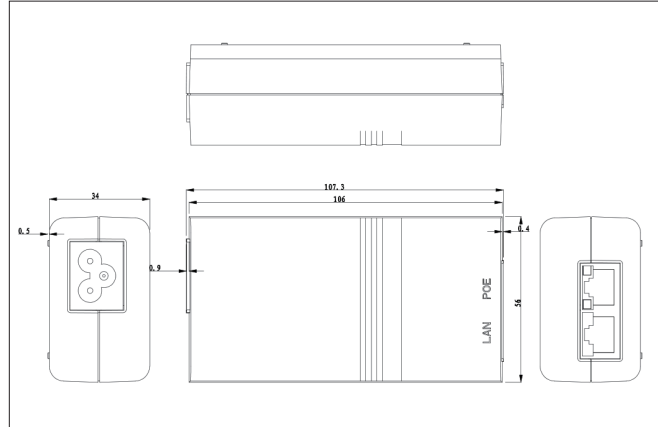
- IEC61000-4-2(ESD)  $\pm 6kV$ (contact),  $\pm 8kV$ (air)
- IEC61000-4-3(RS) 10V/m(80MHz~2GHz)
- IEC61000-4-4(EFT) Power Port:  $\pm 2kV$ ; Data Port: $\pm 1kV$
- IEC61000-4-5(Surge) Power Port: $\pm 1kV/DM$ ,  $\pm 2kV/CM$
- IEC61000-4-6(CS) 10V(150kHz~80MHz)

### Immunity

- IEC60068-2-6(Vibration)
- IEC60068-2-27(Impact)
- IEC60068-2-32(Free Fall)

### LED Indicator

- Power Indicator : Yellow
- PoE Load Indicator : Green



**Order Info.** MAXPI15W

48Vdc/0.32A/1000Mbps/(4,5+,7,8-)/Active

**Packing.** MAXPI15W  
Power Cord x 1 (Optional)  
Manual x 1

