

A solid red horizontal banner with rounded ends on the right side, containing the product name in white text.

DS-PDC10AM-EG2-WE
Wireless External PIR Detector



- · Slim design for window frame installation
- · IP65 weather resistance for outdoor application
- · Active IR anti-masking
- · Multiple enrollment methods and easy installation
- · Frequency hopping against jamming for reliable transmission

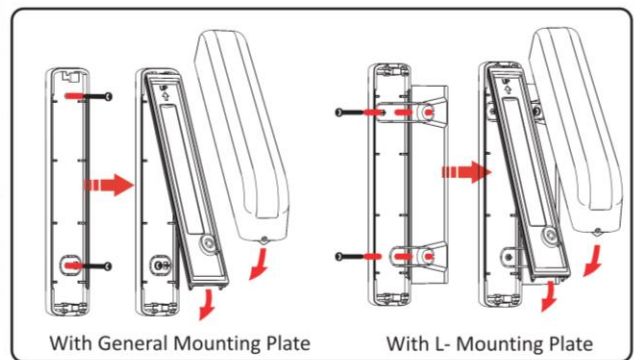
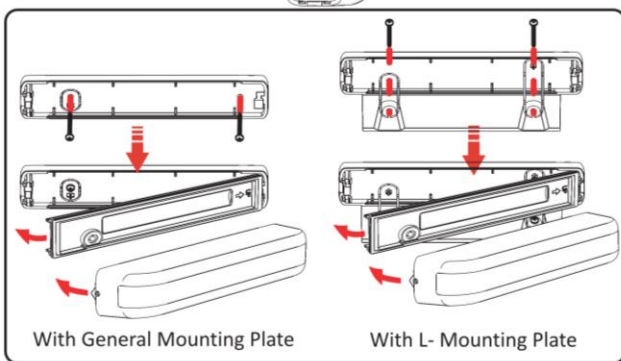
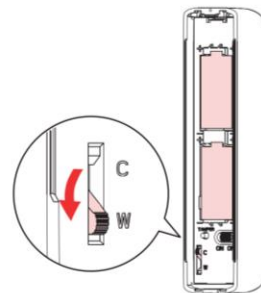
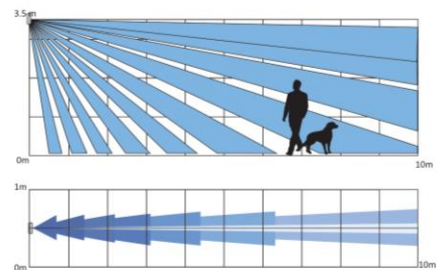
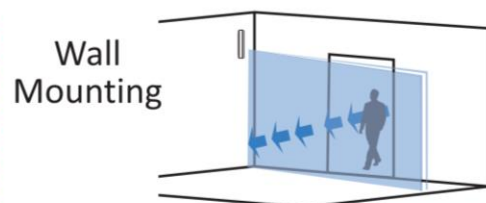
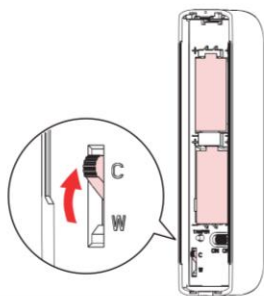
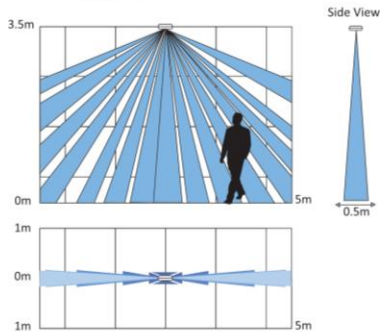
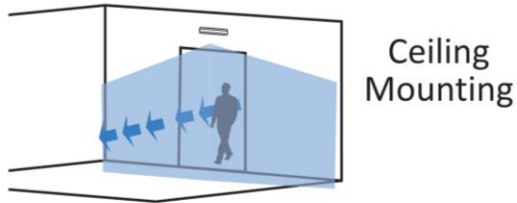


▪ Specification

	Model	DS-PDC10AM-EG2-WE
Detection Performance	Detection Method	Passive Infrared
	Detection Range	Wall Mount: 10m Ceiling Mount: 5m
	Detection Angle	5°
	Detection Zones	32
	Detectable Speed	0.3 to 2m/s
	Sensitivity	Auto,Pet
	White Light Filter	6500lux
	Pet Immunity	Wall Mount: 12Kg Ceiling Mount: None
	Digital Temperature Compensation	Support
	Creep Zone Protection	Support
Feature	Anti-masking	Support
	Digital Processing	Support
	Sealed Optics	Support
	Tamper Protection	Front,Rear
	Environment Temperature Indicator	Support
Interface	Signal Strength Indicator	Support
	Power Switch	Power Up Enrolling
Transmission	LED Indicator	Blue(Alarm), Green+Orange(Mask)
	Transmission Technology	Tri-X Wireless
	Transmission Method	Two-Way RF Wireless
	Transmission Frequency	868MHz
	Transmission Security	AES-128 Encryption
	Transmission Range(Free Space)	1.6Km
	Frequency Hopping	Support
Electrical Characteristics	Enrolling Method	Power up,Remote ID,QR Code
	Standard Battery Life	5 years in work status (being triggered 20 times per day)
	Power Supply	Battery Powered
	Battery Type	CR123A × 2
General	Typical Voltage	3V
	Operation Temperature	-10 °C to 55 °C (14 °F to 131 °F)
	Storage Temperature	-20 °C to 60 °C (-4 °F to 140 °F)
	Operation Humidity	10% to 90%
	IP Rate	IP65
	Dimension(WxHxD)	29.2mm × 134.4mm × 39.5mm
	Weight	118.5g
	Mounting Height	2 to 3.5m
Mounting Method	Wall,Ceiling	

Application Scenario	Indoor,Outdoor
Bracket	L-shaped adapter included

▪ **Installation**



▪ **Available Model**

DS-PDC10AM-EG2-WE



Distributed by

**HIKVISION®****Headquarters**

No.555 Qianmo Road, Binjiang District,
Hangzhou 310051, China
T +86-571-8807-5998
overseasbusiness@hikvision.com

Hikvision USA
T +1-909-895-0400
sales.usa@hikvision.com

Hikvision Australia
T +61-2-8599-4233
salesau@hikvision.com

Hikvision India
T +91-22-28469900
sales@pramahikvision.com

Hikvision Canada
T +1-866-200-6690
sales.canada@hikvision.com

Hikvision Thailand
T +662-275-9949
sales.thailand@hikvision.com

Hikvision Europe
T +31-23-5542770
sales.eu@hikvision.com

Hikvision Italy
T +39-0438-6902
info.it@hikvision.com

Hikvision Brazil
T +55 11 3318-0050
Latam.support@hikvision.com

Hikvision Turkey
T +90 (216)521 7070- 7074
sales.tr@hikvision.com

Hikvision Malaysia
T +601-7652-2413
sales.my@hikvision.com

Hikvision UK & Ireland
T +01628-902140
sales.uk@hikvision.com

Hikvision South Africa
Tel: +27 (10) 0351172
sale.africa@hikvision.com

Hikvision France
T +33(0)1-85-330-450
info.fr@hikvision.com

Hikvision Kazakhstan
T +7-727-9730667
nikia.panfilov@hikvision.ru

Hikvision Vietnam
T +84-974270888
sales.vt@hikvision.com

Hikvision UAE
T +971-4-4432090
salesme@hikvision.com

Hikvision Singapore
T +65-6684-4718
sg@hikvision.com

Hikvision Spain
T +34-91-737-16-55
info.es@hikvision.com

Hikvision Tashkent
T +99-87-1238-9438
uzb@hikvision.ru

Hikvision Hong Kong
T +852-2151-1761
info.hk@hikvision.com

Hikvision Russia
T +7-495-669-67-99
saleru@hikvision.com

Hikvision Korea
T +82-(0)31-731-8817
sales.korea@hikvision.com

Hikvision Poland
T +48-22-460-01-50
info.pl@hikvision.com

Hikvision Indonesia
T +62-21-2933759
Sales.Indonesia@hikvision.com

Hikvision Colombia
sales.colombia@hikvision.com