

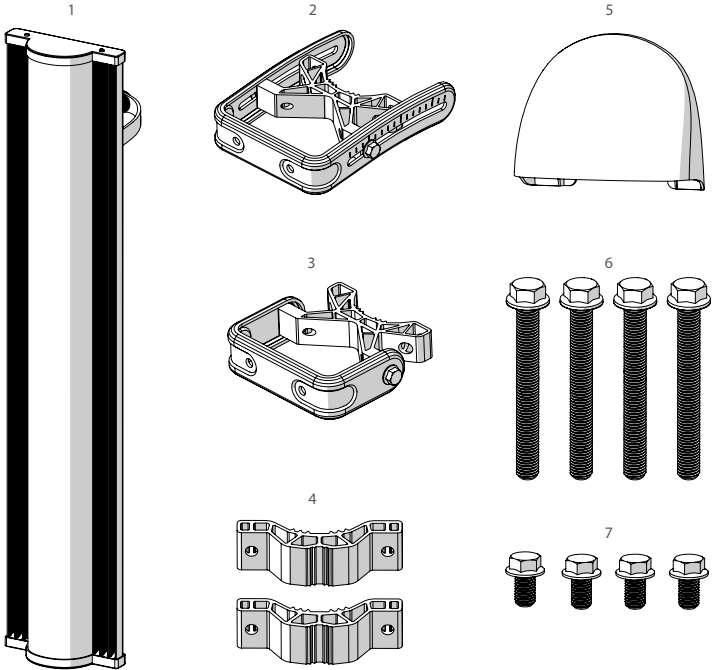


Array Sector



Array Sector

Package Contents:



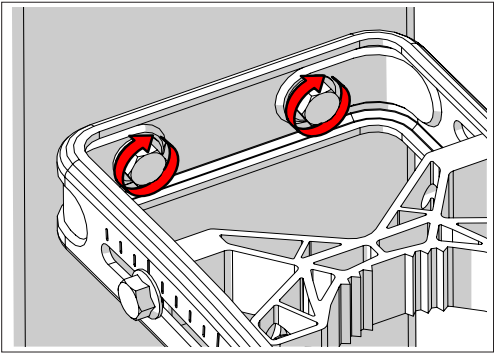
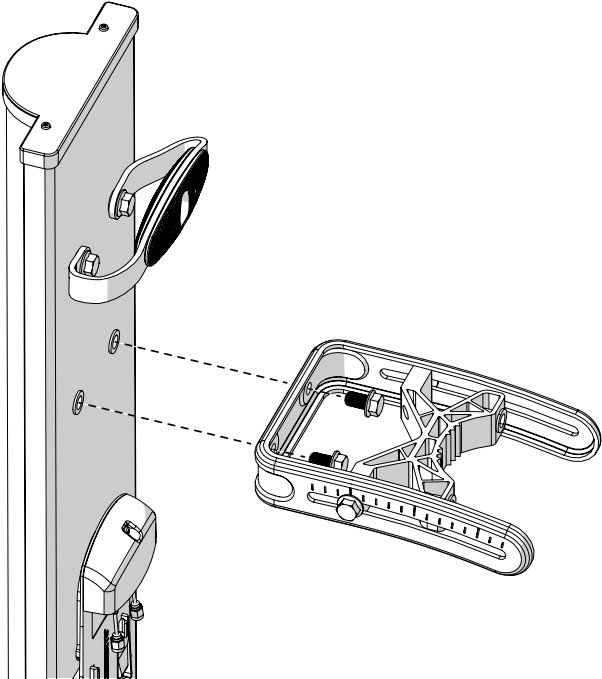
Number	Description	Quantity
1	Array Sector	1x
2	Bracket Top	1x
3	Bracket Bottom	1x
4	Pole Mount Bracket	2x
5	Radio Cover	1x
6	M8 x 80mm Screw	4x
7	M8 x 16mm Screw	4x

Use 13 mm ratchet wrench when assembling the antenna

Array Sector

Step 1

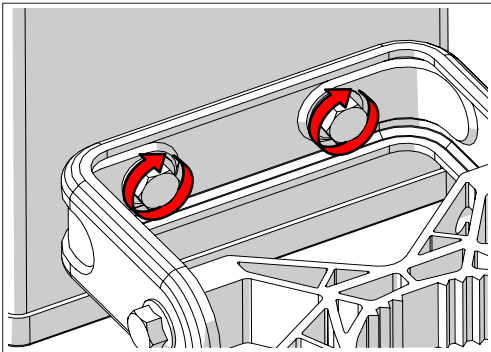
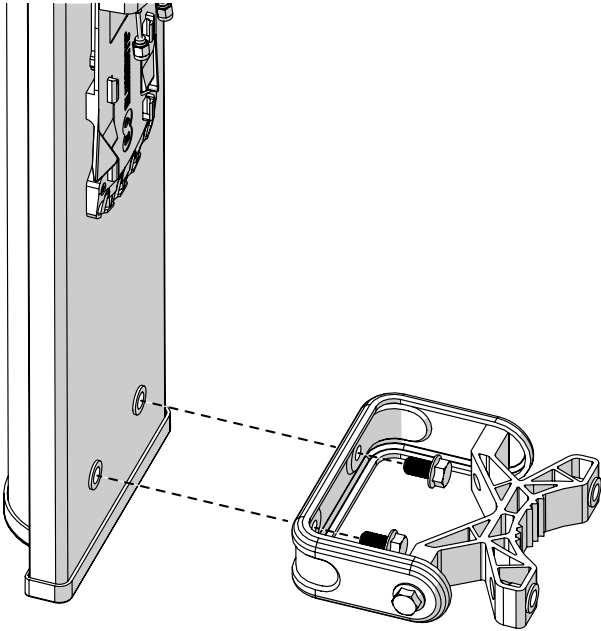
Pre - Installation



Array Sector

Step 2

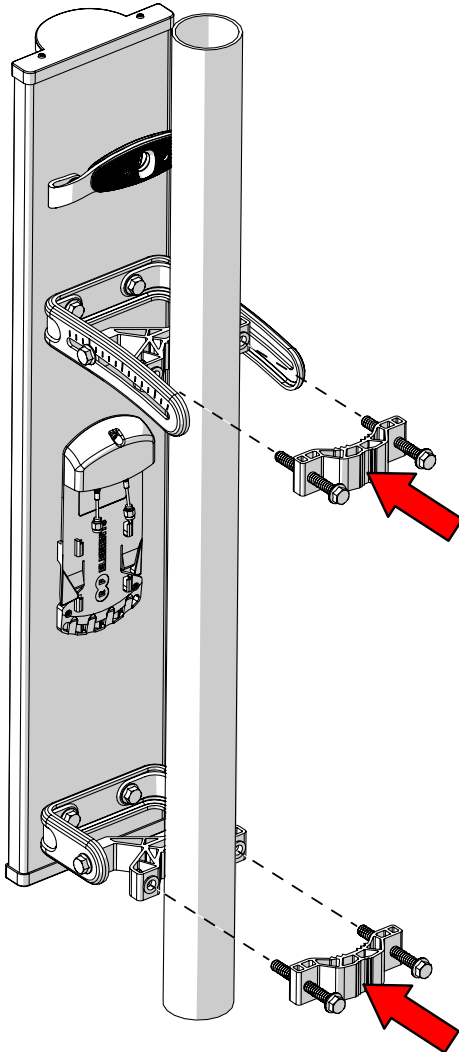
Pre - Installation



Array Sector

Step 3

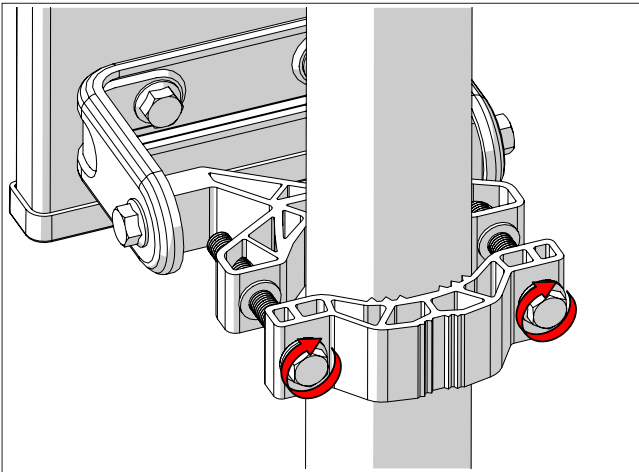
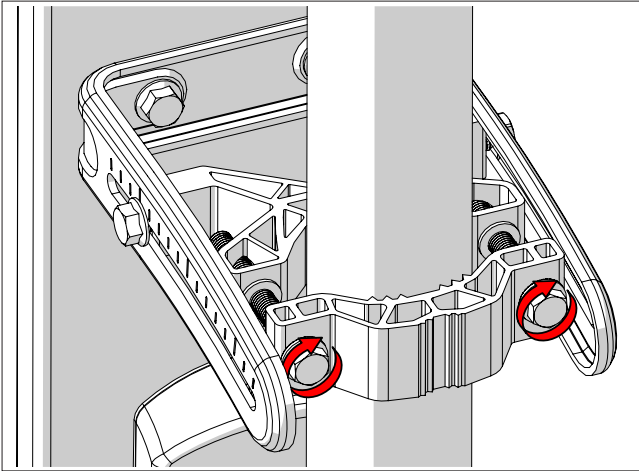
Installation Guide



Array Sector

Step 4

Installation Guide

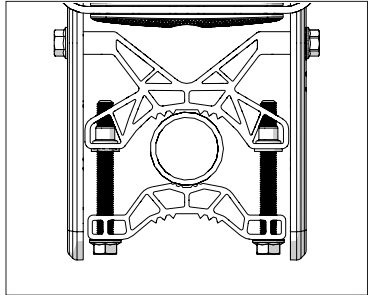
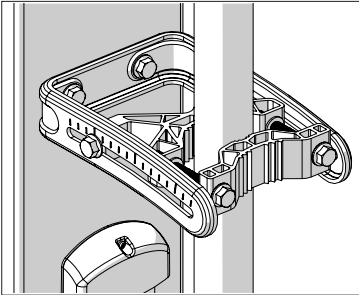


Array Sector

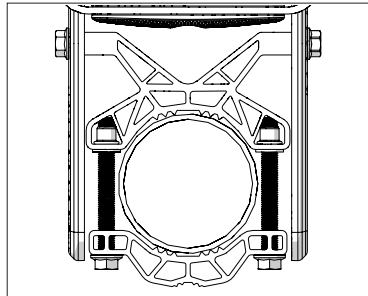
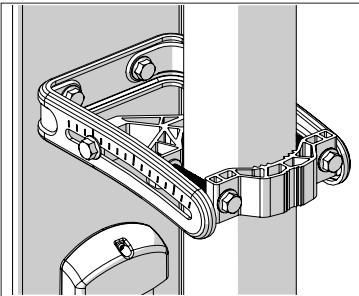
Step 5

Installation Guide

The Pole mount bracket should be oriented as shown in the image below for pole diameter span of 40 - 57 mm.



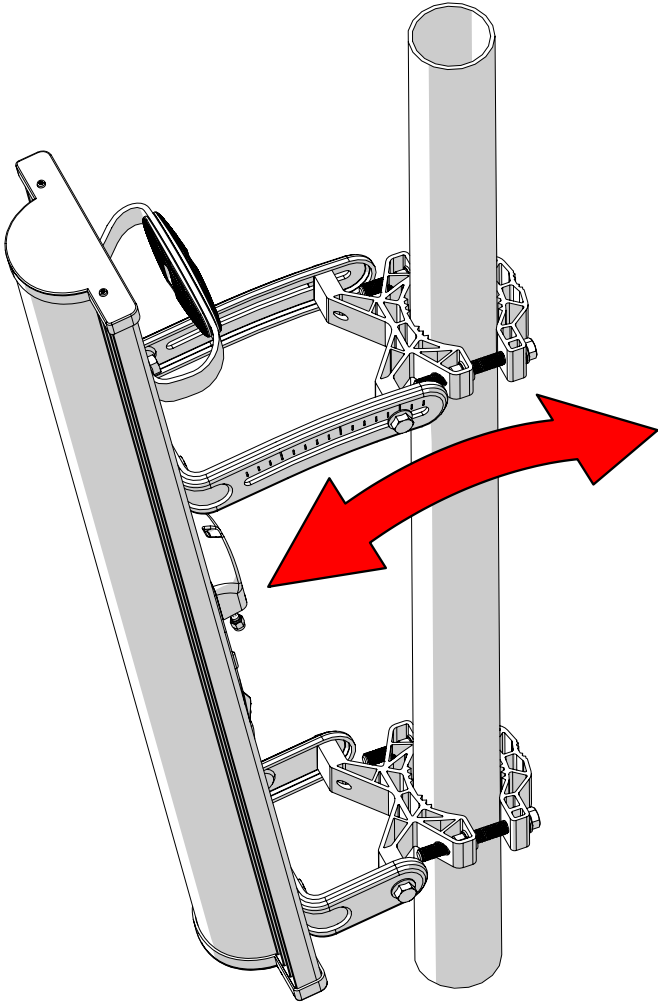
The Pole mount bracket should be oriented as shown in the image below for pole diameter span of 58 - 80 mm.



Array Sector

Step 6

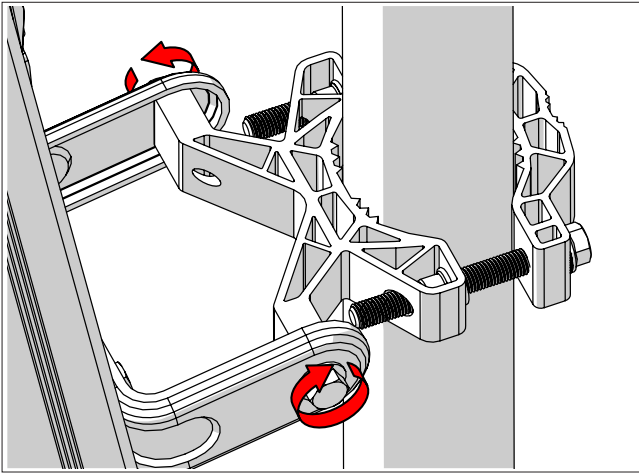
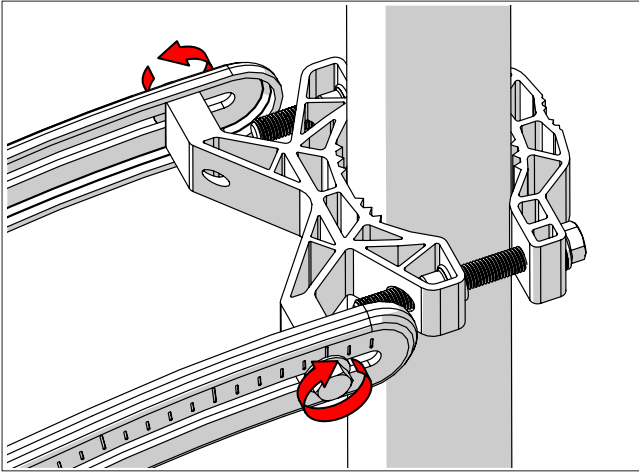
Installation Guide



Array Sector

Step 7

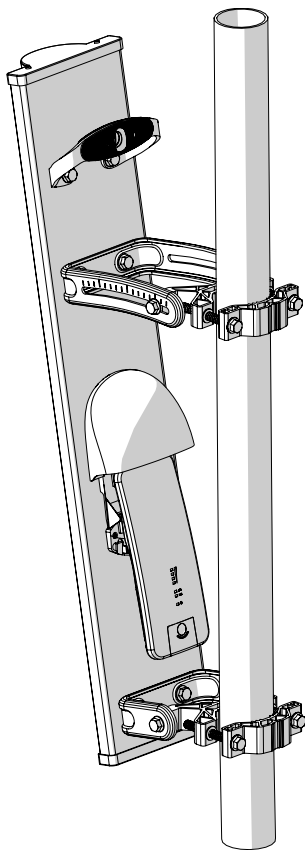
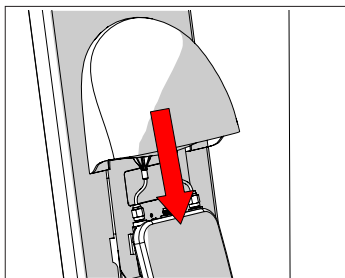
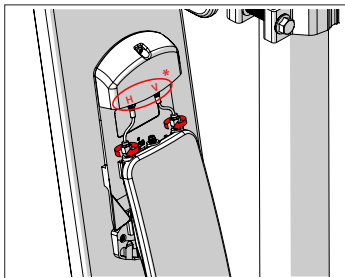
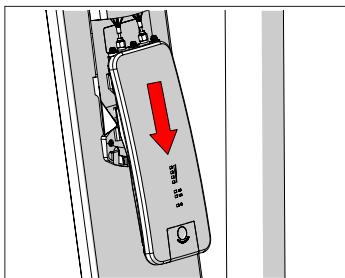
Installation Guide



Array Sector

Step 8

Installation Guide



* Antenna Port H - Horizontal Polarization
Antenna Port V - Vertical Polarization

Compatible Devices

For a list of compatible devices visit www.rfelements.com



RF elements® is trademark of RF elements s.r.o., Slovakia.

All rights of trademark owners reserved.



RF elements s.r.o.
Phone: +421 2 7333 7733
info@rfelements.com
www.rfelements.com