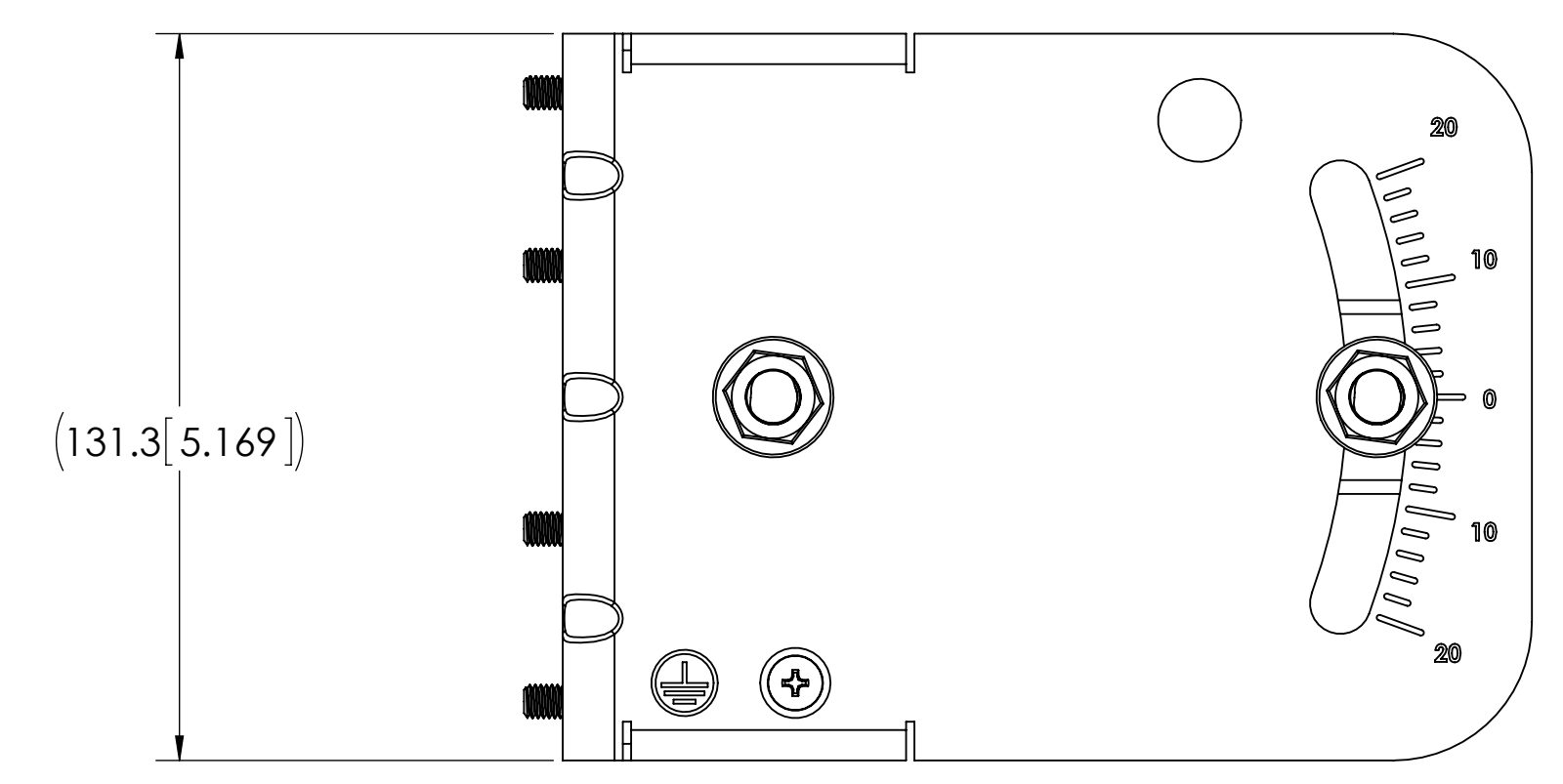
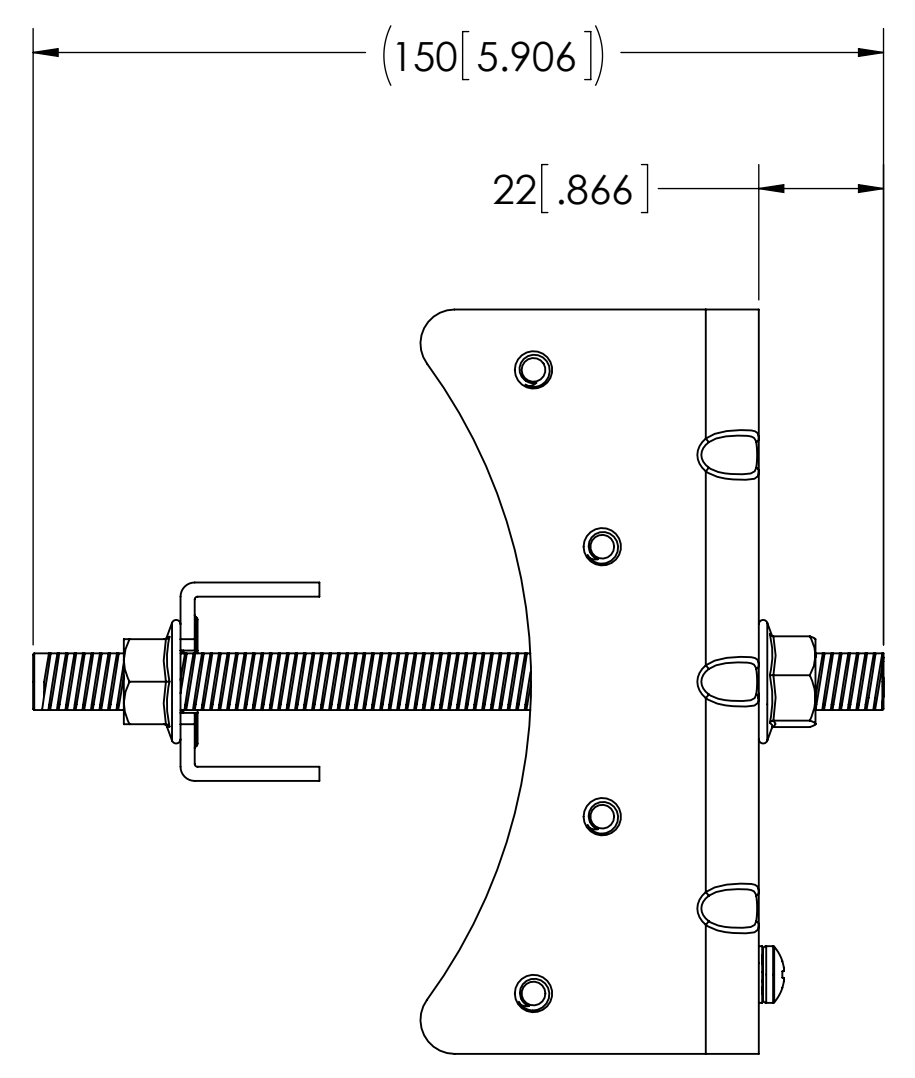
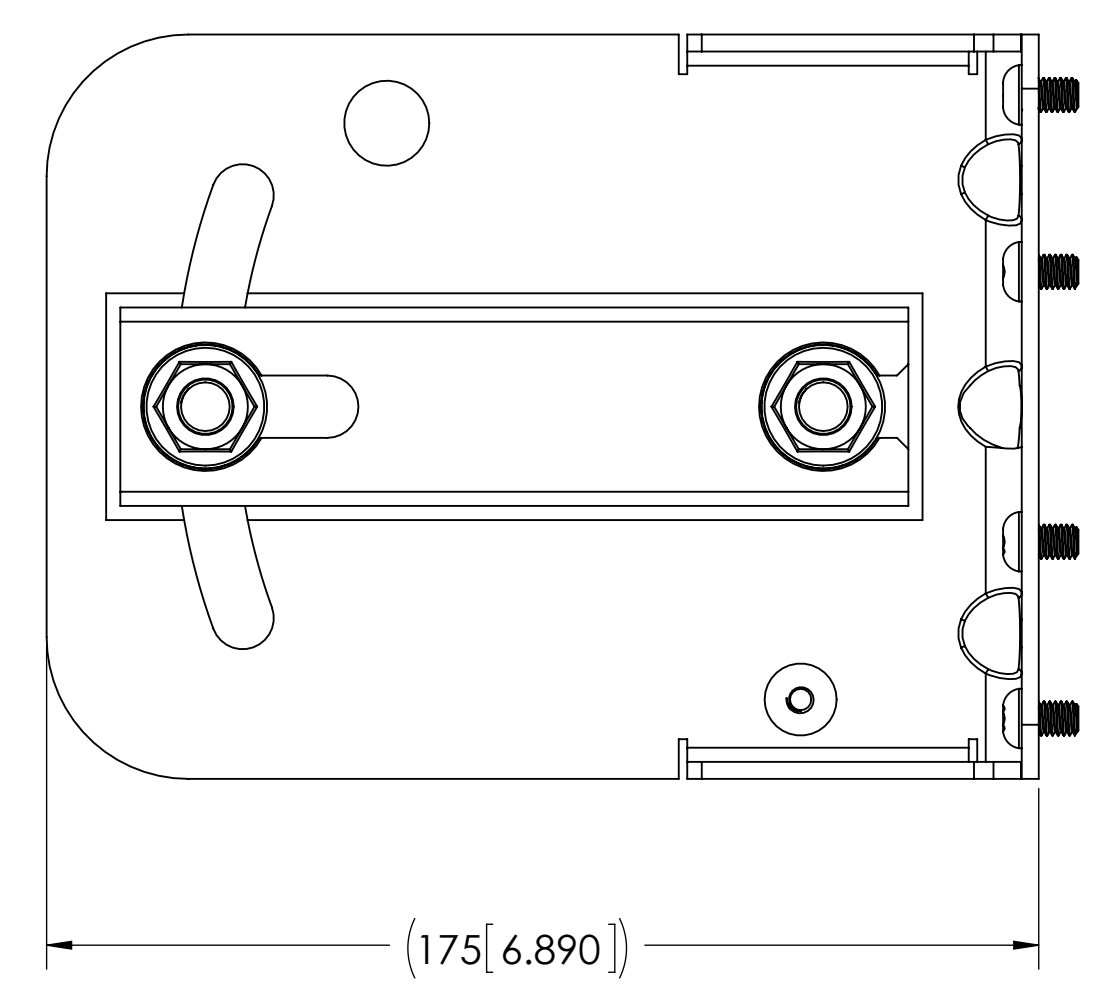
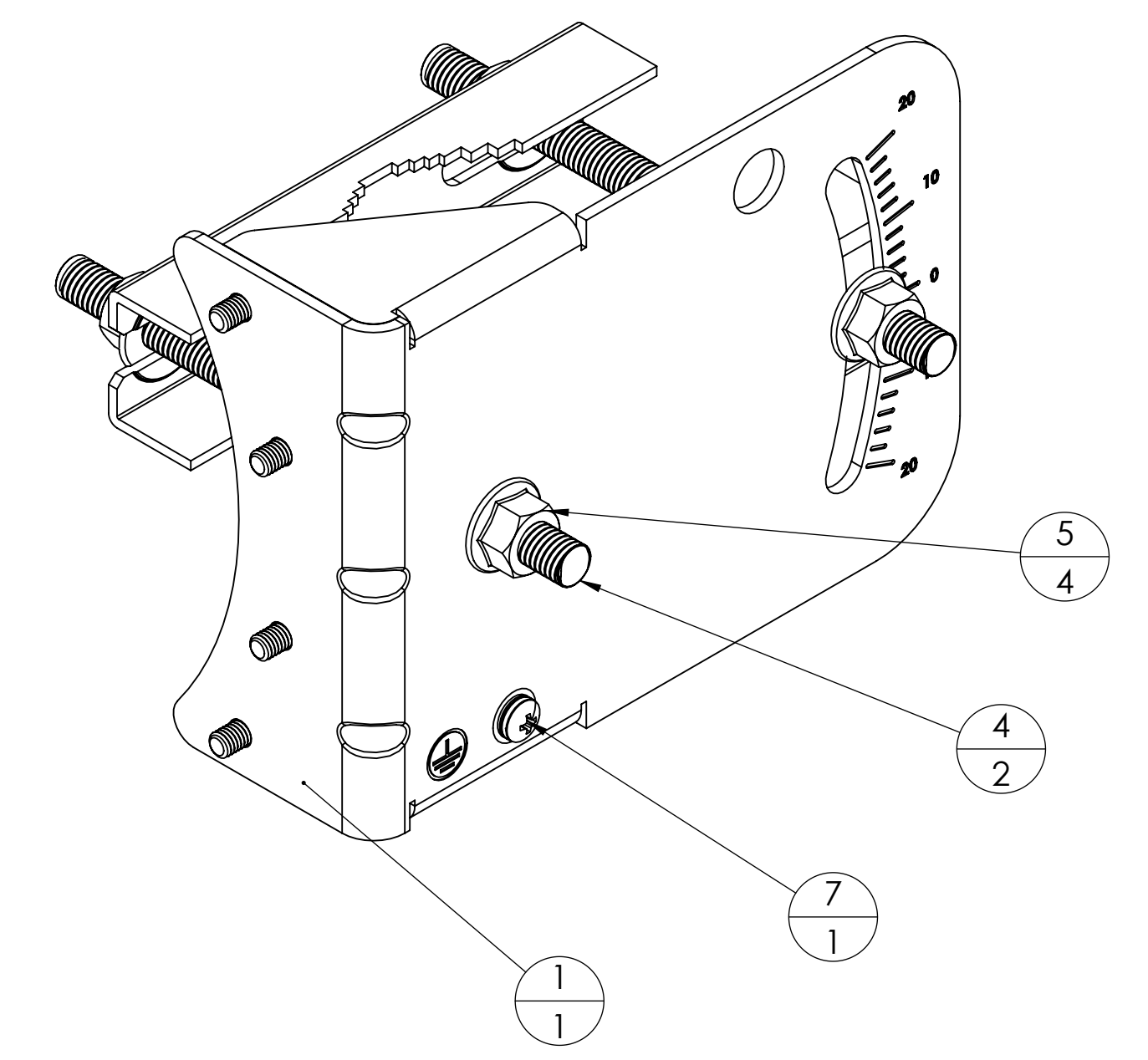
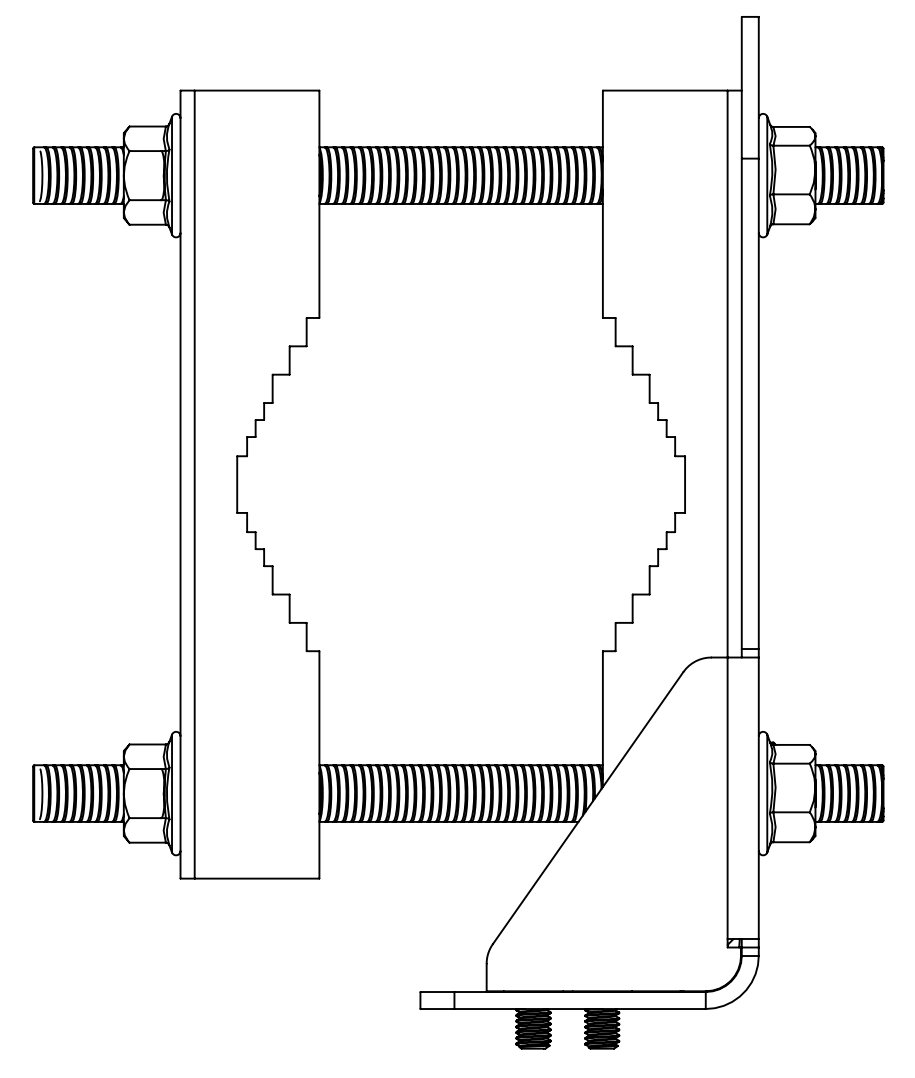
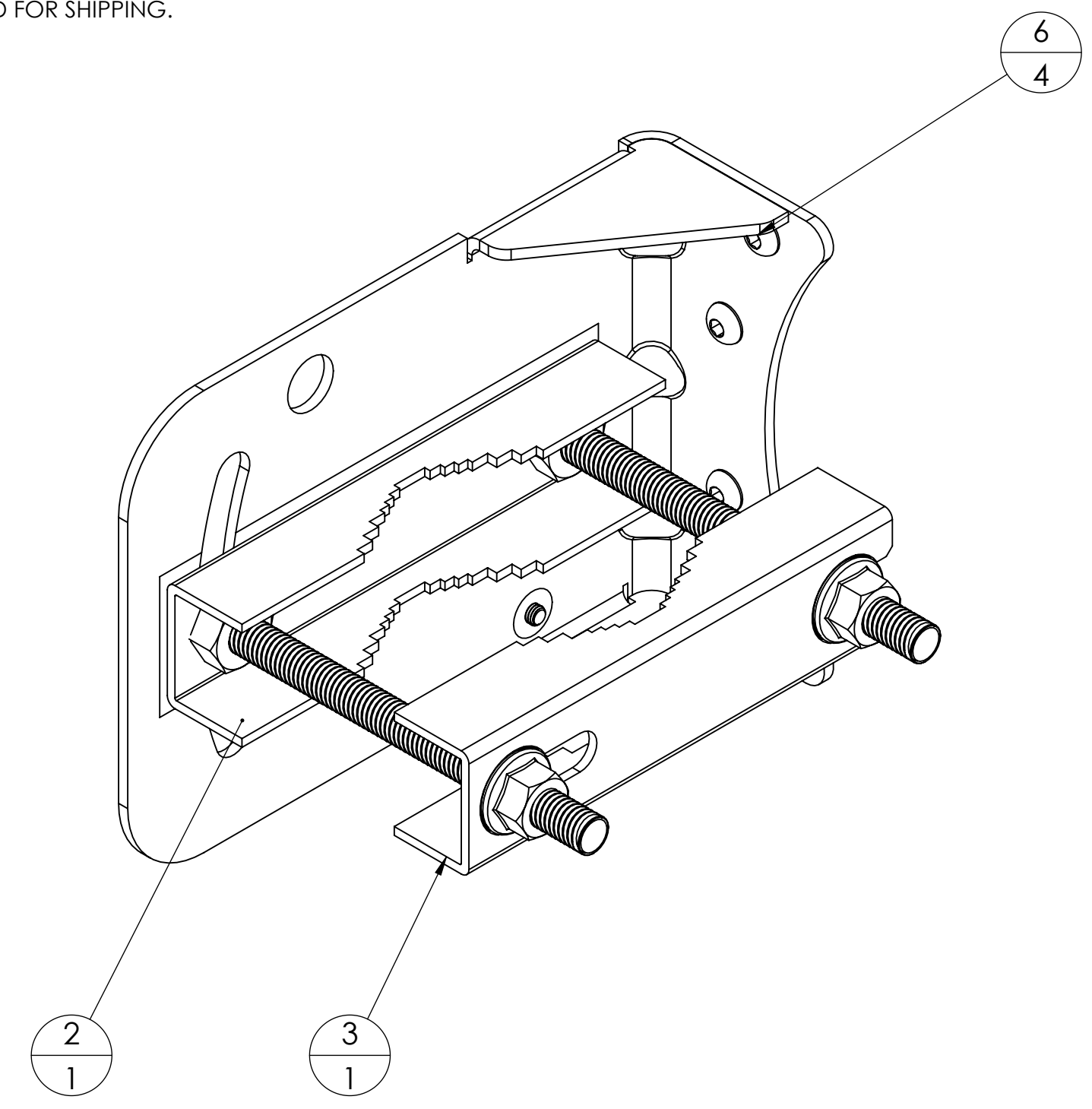


REVISIONS			
REV	DESCRIPTION	DATE	CHG BY
A	INITIAL RELEASE	31DEC12	CRR
B	ADD NOTE 5 AND SHEET 2 WITH PACKAGING INFO	10MAY13	CRR
C	UPDATE DRAWING WITH LATEST PART VIEWS	29MAR14	CRR
D	ADD ITEM 7 TO BOM	25JUL14	CRR

NOTES: (UNLESS OTHERWISE SPECIFIED)

- ① MATERIAL: SEE INDIVIDUAL ITEMS ON BOM
- ② FINISH: SEE INDIVIDUAL ITEMS ON BOM
- 3. PART MUST BE FREE OF TOOL MARKS, FLASHING, WRINKLES, THINNING AND/OR SPLITTING WHICH MAY BE DETRIMENTAL TO SATISFACTORY ASSEMBLY, SAFE HANDLING, APPEARANCE, AND FUNCTION.
- 4. SOLID MODEL GEOMETRY:
 - a. SEE SOLIDWORKS MODEL FOR DIMENSIONS & FEATURES NOT SHOWN ON DRAWING.
 - b. MODEL-BASED TOLERANCES: SEE TOLERANCE BLOCK FOR DEFAULT CAD MODEL TOLERANCE.
- ⑤ SEE SHEET 2 FOR PACKAGING INFORMATION. ASSEMBLY WILL BE PARTIALLY DIS-ASSEMBLED FOR SHIPPING.



BILL OF MATERIALS			
ITEM	PART NUMBER	QTY	DESCRIPTION
1	609-00004	1	MOUNTING BRACKET, B5
2	605-00003	1	CLAMP HALF WITH NUTS
3	605-00002	1	CLAMP HALF
4	602-00004	2	THREADED ROD, M10X1.5X150mm LONG
5	604-00002	4	B18.2.2.4M - Hex flange nut, M10 x 1.5, with 15 WAF -N
6	602-00005	4	BHCS, M6 X 10MM LONG, 18-8 SST
7	602-00028	1	SCREW, INTERNAL SEM, M5 X 6MM, SST

PROPRIETARY & CONFIDENTIAL

THE INFORMATION CONTAINED IN THIS DRAWING IS THE SOLE PROPERTY OF MIMOSA NETWORKS. ANY REPRODUCTION IN PART OR AS A WHOLE WITHOUT WRITTEN PERMISSION OF MIMOSA NETWORKS IS PROHIBITED.

TOLERANCES:
 ANGULAR: ±1°
 DIMENSIONS ARE IN MILLIMETERS UNLESS OTHERWISE SPECIFIED
 DIMENSIONS ARE IN INCHES UNLESS OTHERWISE SPECIFIED
 HOLE TO HOLE: ±0.25 (0.010)
 HOLE TO EDGE: ±0.25 (0.010)
 MODEL-SHIPPED FEATURES: ±0.5 (0.020)

mimosa networks
 656 N Santa Cruz Ave #B
 Los Gatos, CA 95030

DESCRIPTION: MOUNTING BRACKET ASSEMBLY

THIRD ANGLE PROJECTION:

MATERIAL: ①
 FINISH: ②

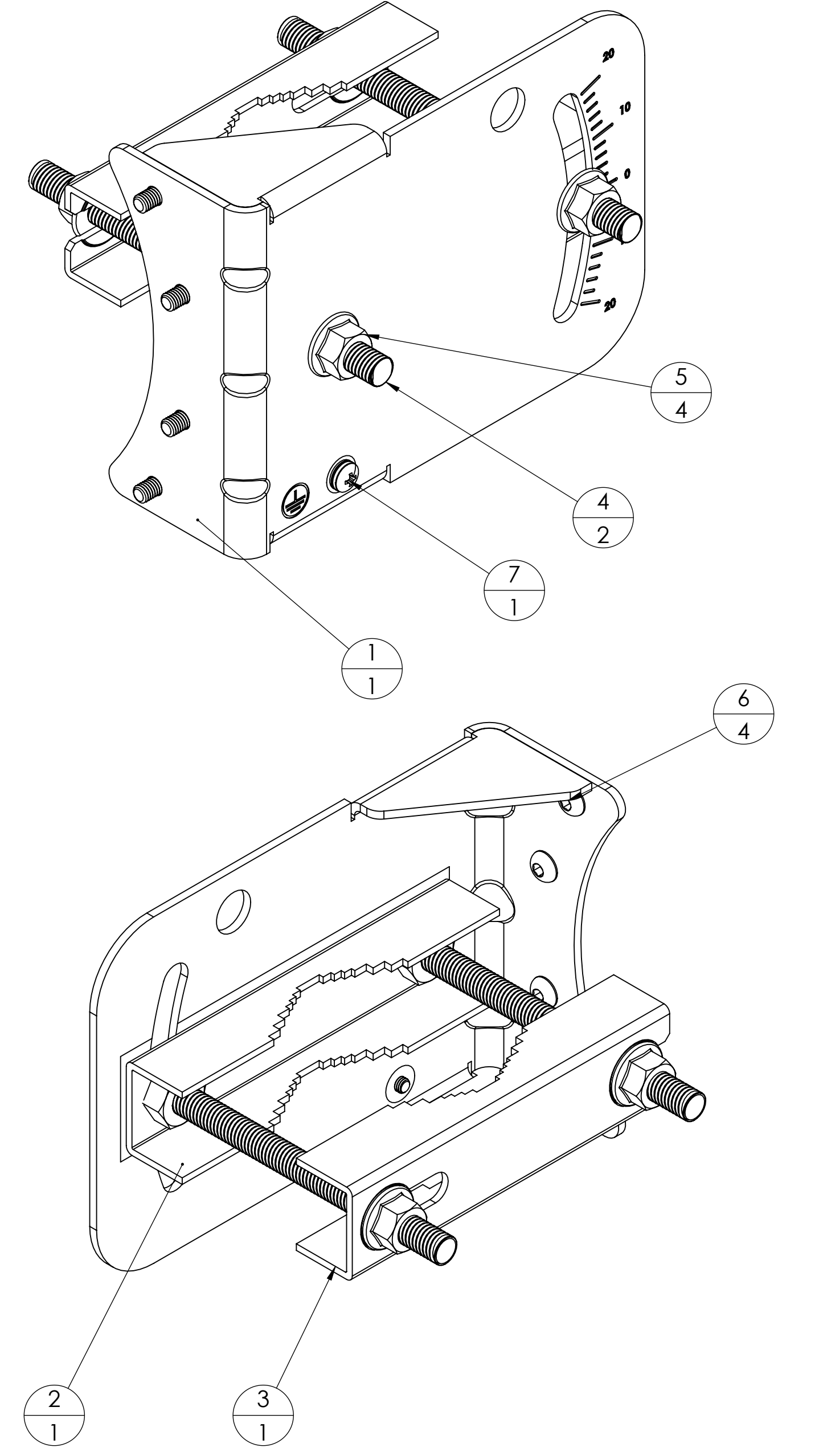
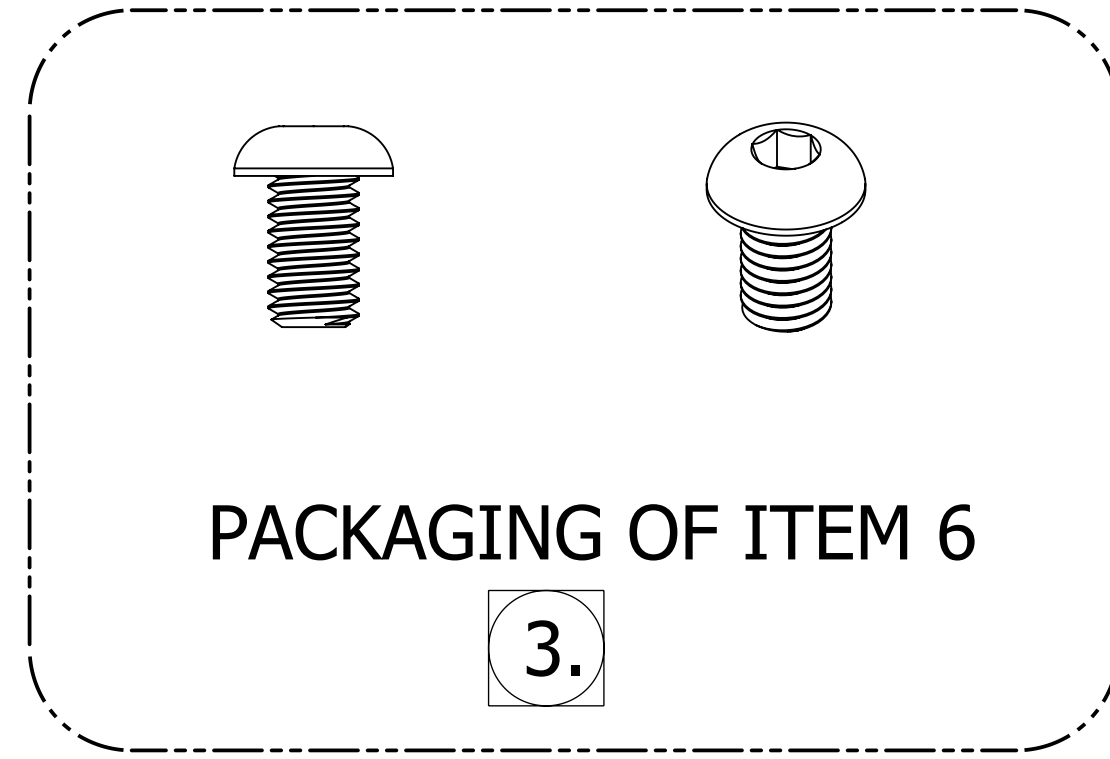
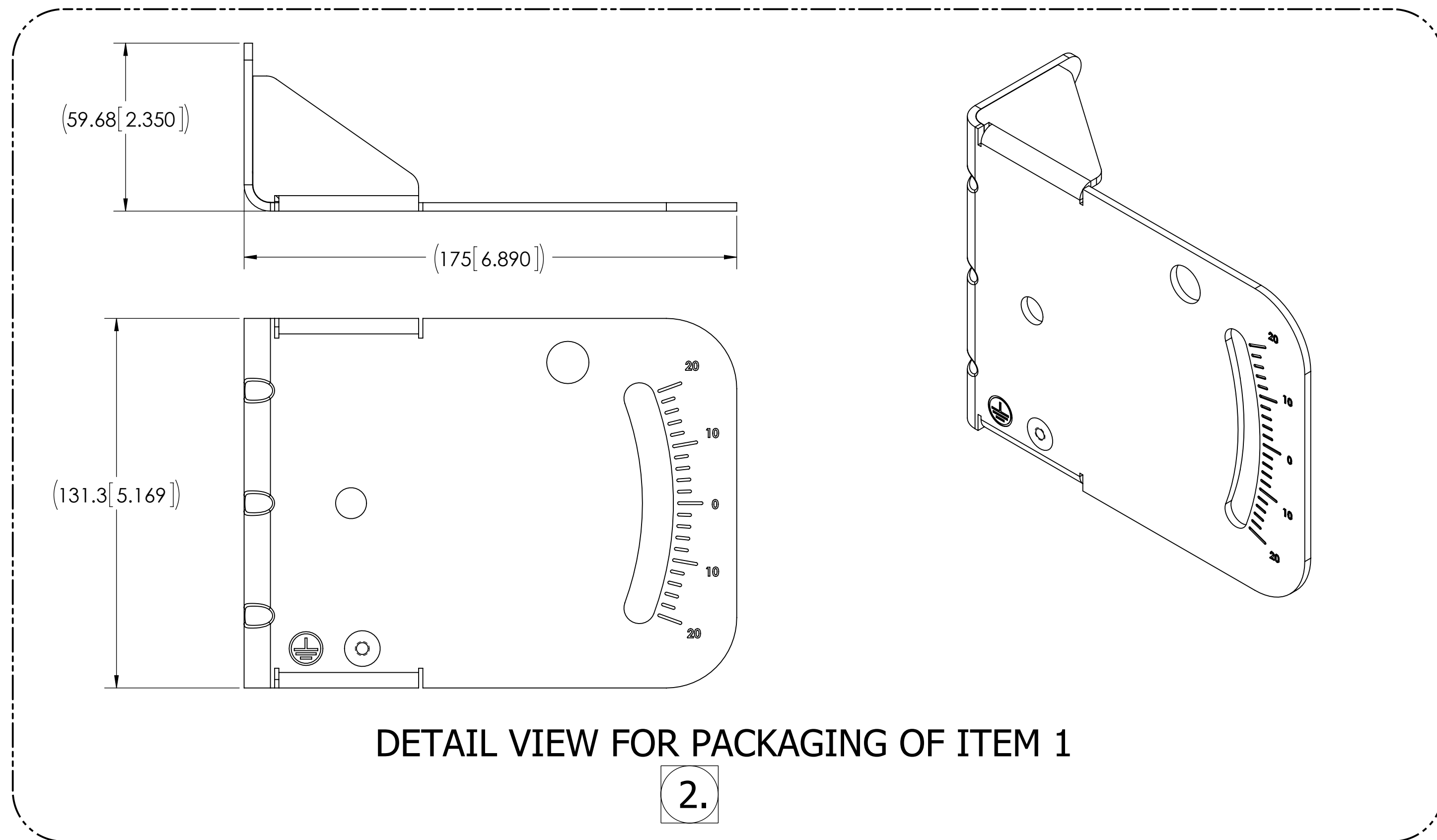
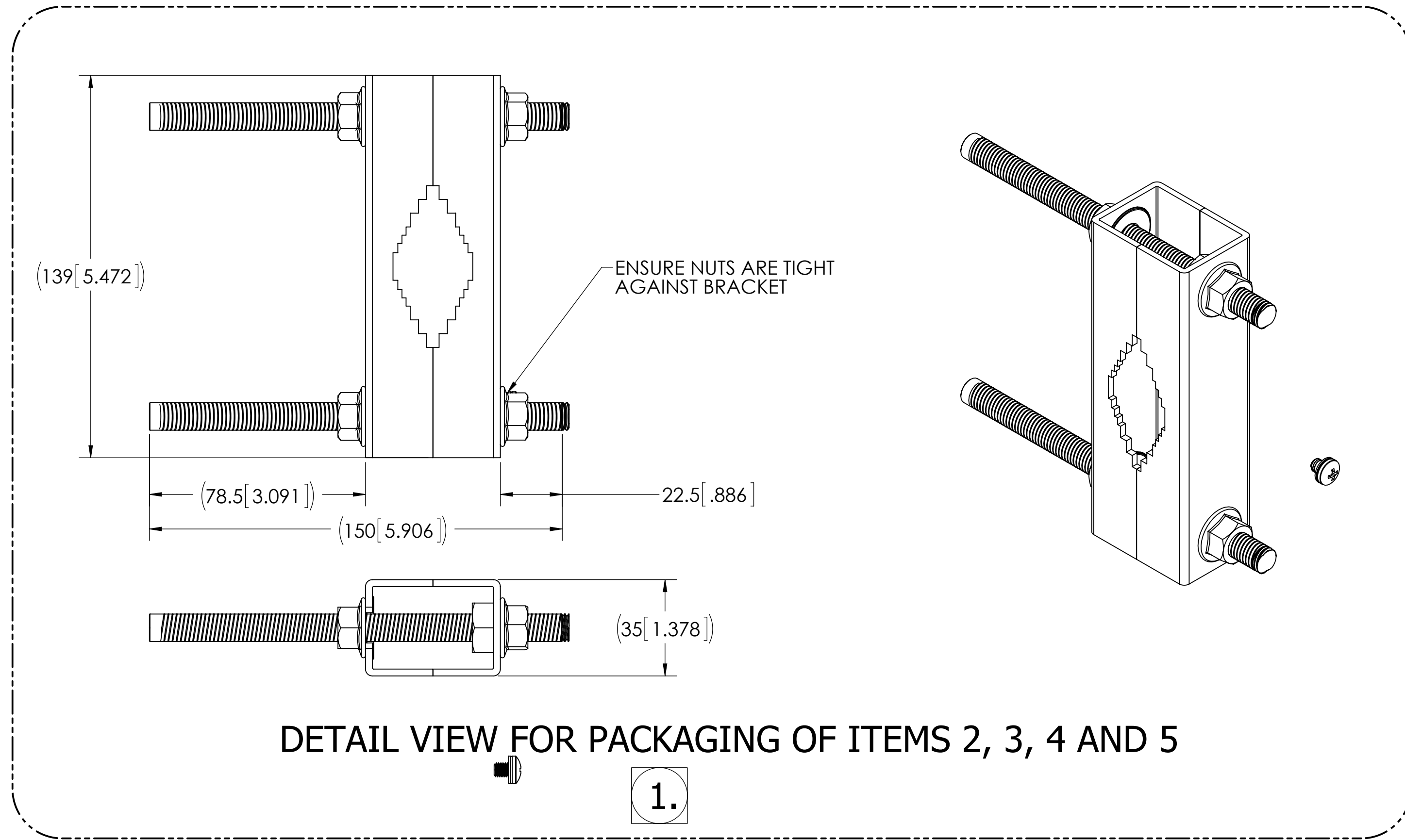
DO NOT SCALE DRAWING

DRAWN BY: C.RAMOS
 DWG. NO.: 010-00002
 REV: D

WEIGHT: 1.34 KG
 SIZE: D
 SCALE: 3:4
 SHEET: 1 OF 2

NOTES: (UNLESS OTHERWISE SPECIFIED)

- 1 PACKAGE ITEMS 2, 3, 4 AND 5 ASSEMBLED AS SHOWN. ENSURE PARTS DO NOT RATTLE TOGETHER. PACK ASSEMBLY IN PROTECTIVE BAG FOR FINAL SHIPMENT.
- 2 PACK ITEM 1 SEPARATELY IN INDIVIDUAL PROTECTIVE BAG FOR FINAL SHIPMENT.
- 3 PACK ITEM 6 (4X SCREWS) IN A SEPARATE PROTECTIVE BAG FOR FINAL SHIPMENT.
- 4 ALL ITEMS IN NOTES 1, 2 AND 3 TO BE SHIPPED TOGETHER AS ASSEMBLY KIT 0010-00002. MARK PACKAGING WITH ASSEMBLY NUMBER AND LATEST REVISION.



BILL OF MATERIALS			
ITEM	PART NUMBER	QTY	DESCRIPTION
1	609-00004	1	MOUNTING BRACKET, B5
2	605-00003	1	CLAMP HALF WITH NUTS
3	605-00002	1	CLAMP HALF
4	602-00004	2	THREADED ROD, M10X1.5X150mm LONG
5	604-00002	4	B18.2.2.4M - Hex flange nut, M10 x 1.5, with 15 WAF --N
6	602-00005	4	BHCS, M6 X 10MM LONG, 18-8 SST
7	602-00028	1	SCREW, INTERNAL SEM, M5 X 6MM, SST

PROPRIETARY & CONFIDENTIAL THE INFORMATION CONTAINED IN THIS DRAWING IS THE SOLE PROPERTY OF MIMOSA NETWORKS. ANY REPRODUCTION IN PART OR AS A WHOLE WITHOUT WRITTEN PERMISSION OF MIMOSA NETWORKS IS PROHIBITED.

TOLERANCES:
 ANGULAR: ± .1°
 DIMENSIONS ARE IN: X: ± .10 (DRAFT)
 MILLIMETERS: MCM: X: ± .10 (DRAFT)
 DIMENSIONS ARE IN: XXX: ± 0.25 (0.010")
 IN BRACKETS: () X: XXX: ± 0.13 (0.005")
 HOLE TO HOLE: ± 0.25 (0.010")
 MOLDING SHOT: ± 0.10 (0.004")
 MOLDING SHOT FEATURES: ± 0.5 (0.020")

mimosa networks
 656 N Santa Cruz Ave #B
 Los Gatos, CA 95030

DESCRIPTION: MOUNTING BRACKET ASSEMBLY

MATERIAL: SEE SHEET 1
FINISH: SEE SHEET 1

THIRD ANGLE PROJECTION:

DRAWN BY: C. RAMOS
DWG. NO.: 010-00002
REV: D

DO NOT SCALE DRAWING DRAWN IN ACCORDANCE WITH ASME Y14.5-2009
WEIGHT: 1.34 KG
SIZE: D
SCALE: 3:4
SHEET: 2 OF 2